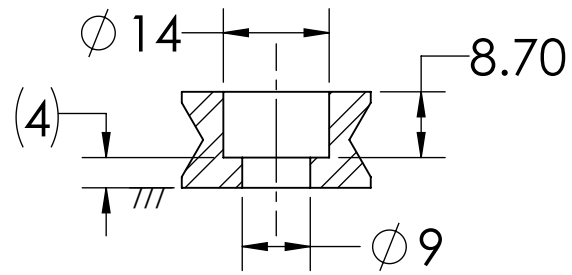
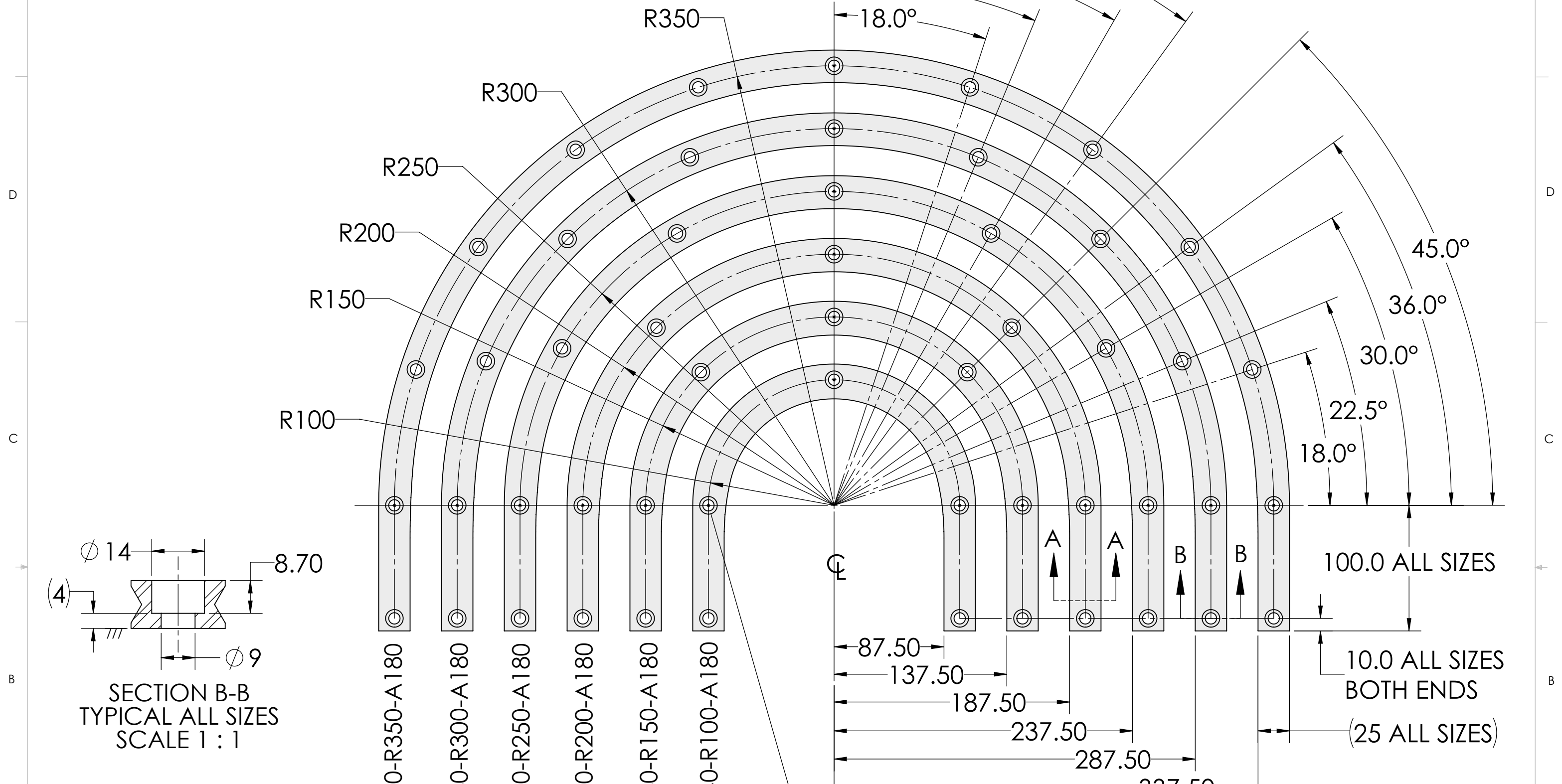
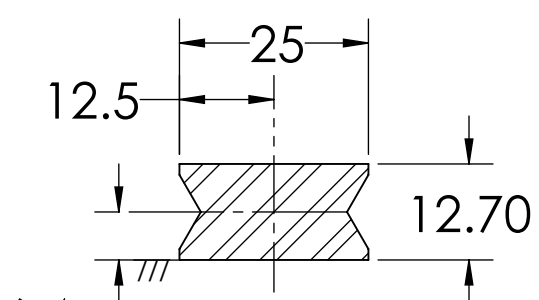


8 7 6 5 4 3 2 1

E D C B A



SECTION B-B
TYPICAL ALL SIZES
SCALE 1 : 1



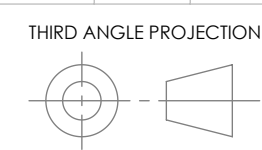
SECTION A-A
TYPICAL ALL SIZES
SCALE 1 : 1

NUMBER OF MOUNTING HOLES
VARY PER RAIL SIZE

- NOTES:
 1) ALL DIMENSIONS ARE SHOWN IN mm
 2) RAIL FEATURES ARE MIRRORED ABOUT THE VERTICAL CENTERLINE

PROPRIETARY AND CONFIDENTIAL
 THE INFORMATION CONTAINED IN THIS DRAWING IS THE SOLE PROPERTY OF THE PRECISION ALLIANCE (TPA) LOCATED IN FORT MILL, SOUTH CAROLINA. ANY REPRODUCTION IN PART OR AS A WHOLE WITHOUT THE WRITTEN PERMISSION OF TPA IS PROHIBITED.

UNLESS OTHERWISE SPECIFIED:			NAME	DATE
(X.XXX) = CRITICAL / INSPECTION			DRAWN	MAB
			APPROVED	05-06-2019
TOLERANCES	INCHES	MM		
ANGULAR	±.5 DEG	±.5 DEG		
ONE PLACE DECIMAL	±.050"	±1.00mm		
TWO PLACE DECIMAL	±.010"	±.250mm		
THREE PLACE DECIMAL	±.005"	±.100mm		
GEOMETRIC TOLERANCING PER: ANSI/ASME Y14.1 STANDARD				
MATERIAL	STEEL AISI 4140			
FINISH				
DO NOT SCALE DRAWING				



TPA, FORT MILL SC		
DESCRIPTION:		
<p align="center">CR40-180 CURVED RAIL DETAIL</p>		
SIZE	DWG. NO.	REV
B	CR40-A180-CURVED RAIL	A
SCALE: 1:2	WEIGHT:	SHEET 1 OF 1