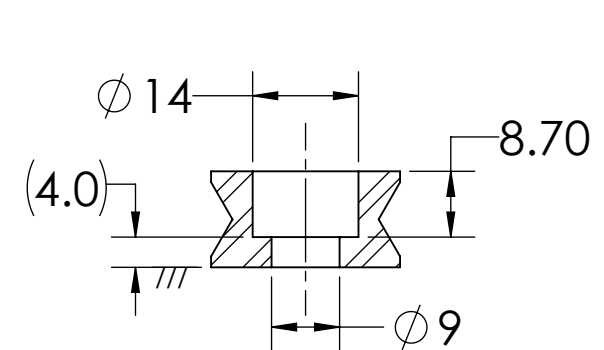
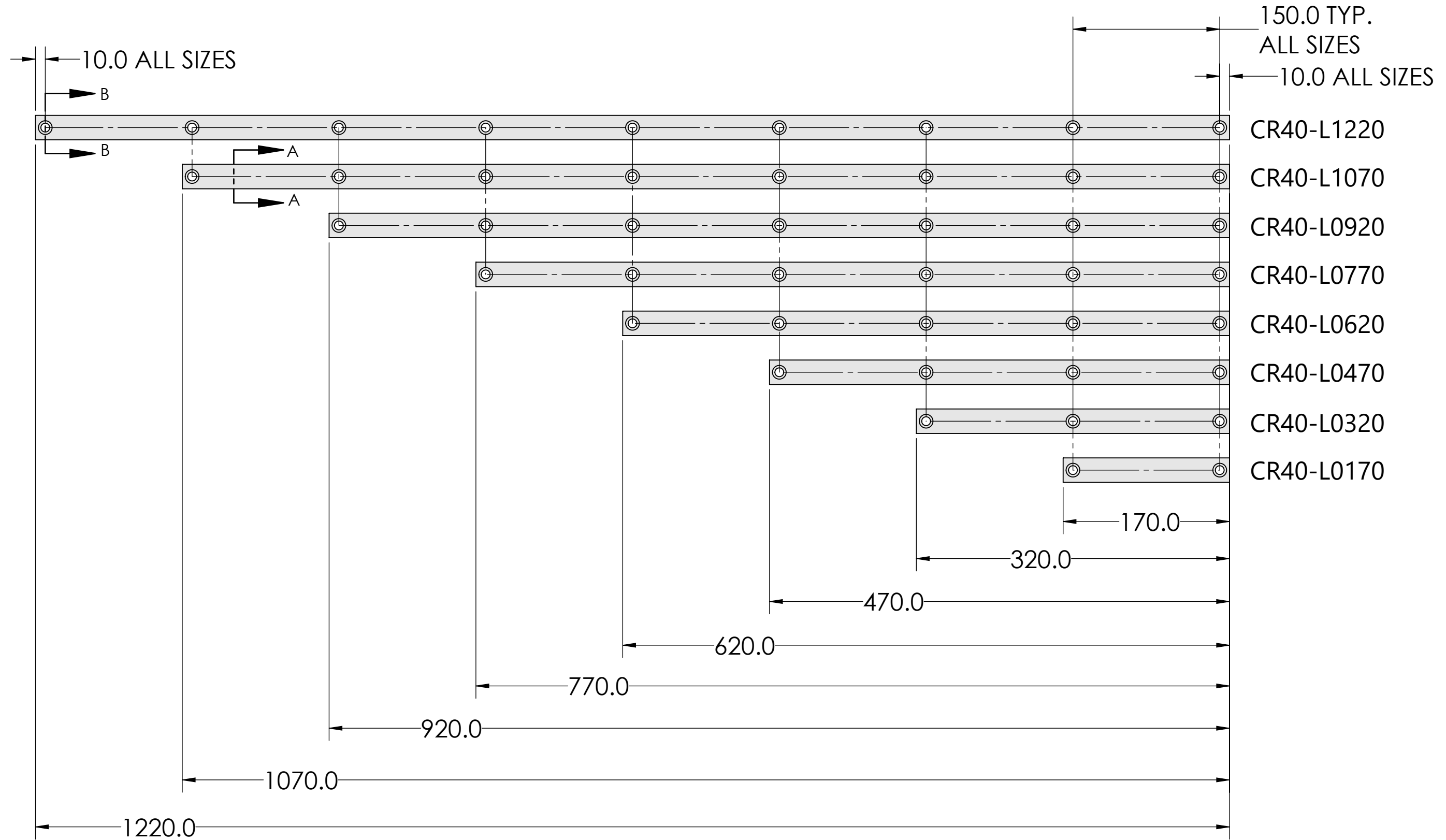


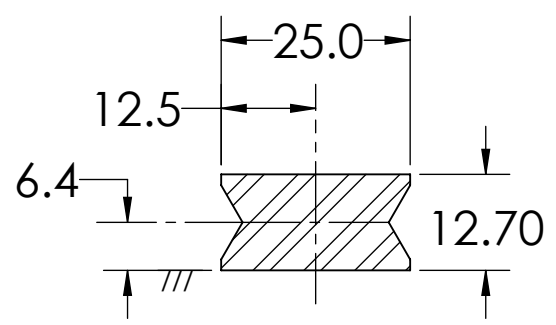
8 7 6 5 4 3 2 1

E
D
C
B
A

E
D
C
B
A



SECTION B-B
TYPICAL ALL SIZES
SCALE 1 : 1

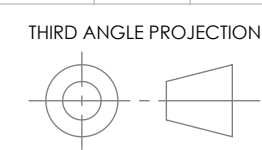


SECTION A-A
TYPICAL ALL SIZES
SCALE 1 : 1

- NOTES:
 1) ALL DIMENSIONS ARE SHOWN IN mm
 2) ALL RAIL FEATURES ARE IDENTICAL, EXCEPT FOR OVERALL LENGTH.

PROPRIETARY AND CONFIDENTIAL
 THE INFORMATION CONTAINED IN THIS DRAWING IS THE SOLE PROPERTY OF THE PRECISION ALLIANCE (TPA) LOCATED IN FORT MILL, SOUTH CAROLINA. ANY REPRODUCTION IN PART OR AS A WHOLE WITHOUT THE WRITTEN PERMISSION OF TPA IS PROHIBITED.

UNLESS OTHERWISE SPECIFIED:			NAME	DATE
(X.XXX) = CRITICAL / INSPECTION	DRAWN	MAB	05-07-2019	
TOLERANCES	INCHES	MM	APPROVED	
ANGULAR	±.5 DEG	±.5 DEG		
ONE PLACE DECIMAL	±.050"	±1.00mm		
TWO PLACE DECIMAL	±.010"	±.250mm		
THREE PLACE DECIMAL	±.005"	±.100mm		
GEOMETRIC TOLERANCING PER: ANSI/ASME Y14.1 STANDARD				
MATERIAL	Material <not specified>			
FINISH				
DO NOT SCALE DRAWING				



TPA, FORT MILL SC		
DESCRIPTION: CR40-STRAIGHT RAIL DETAIL		
SIZE	DWG. NO.	REV
B	CR40-STRAIGHT RAIL	A
SCALE: 1:4	WEIGHT:	SHEET 1 OF 1

8 7 6 5 4 3 2 1