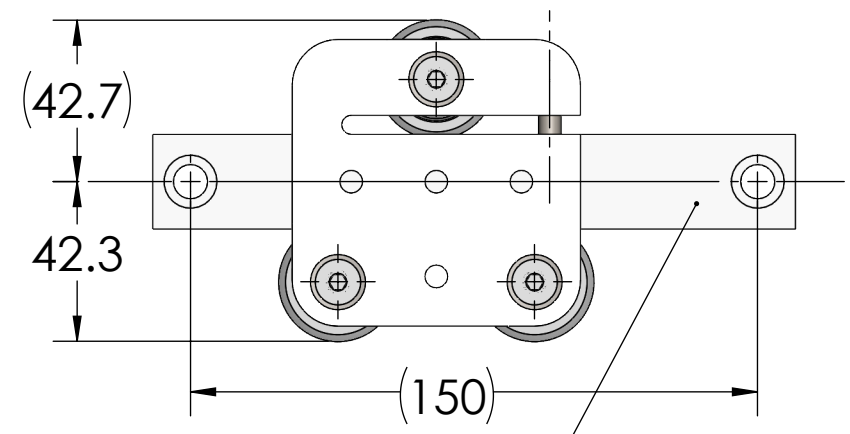
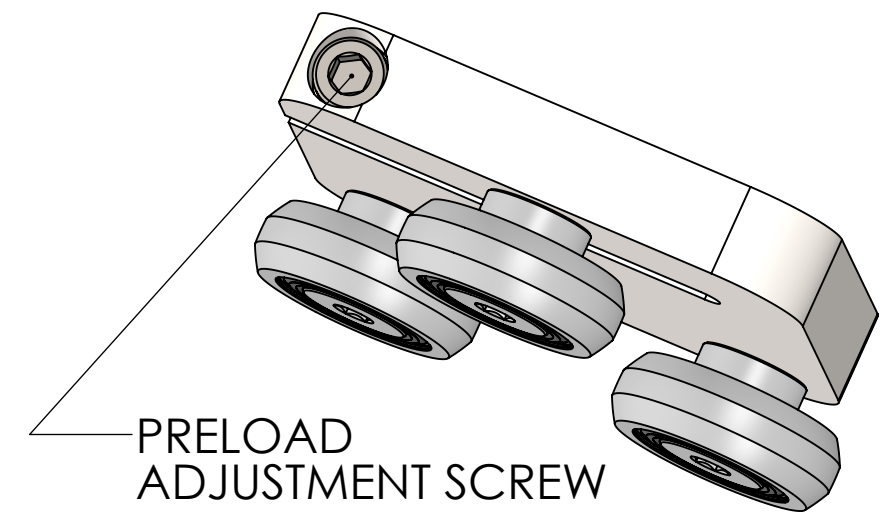
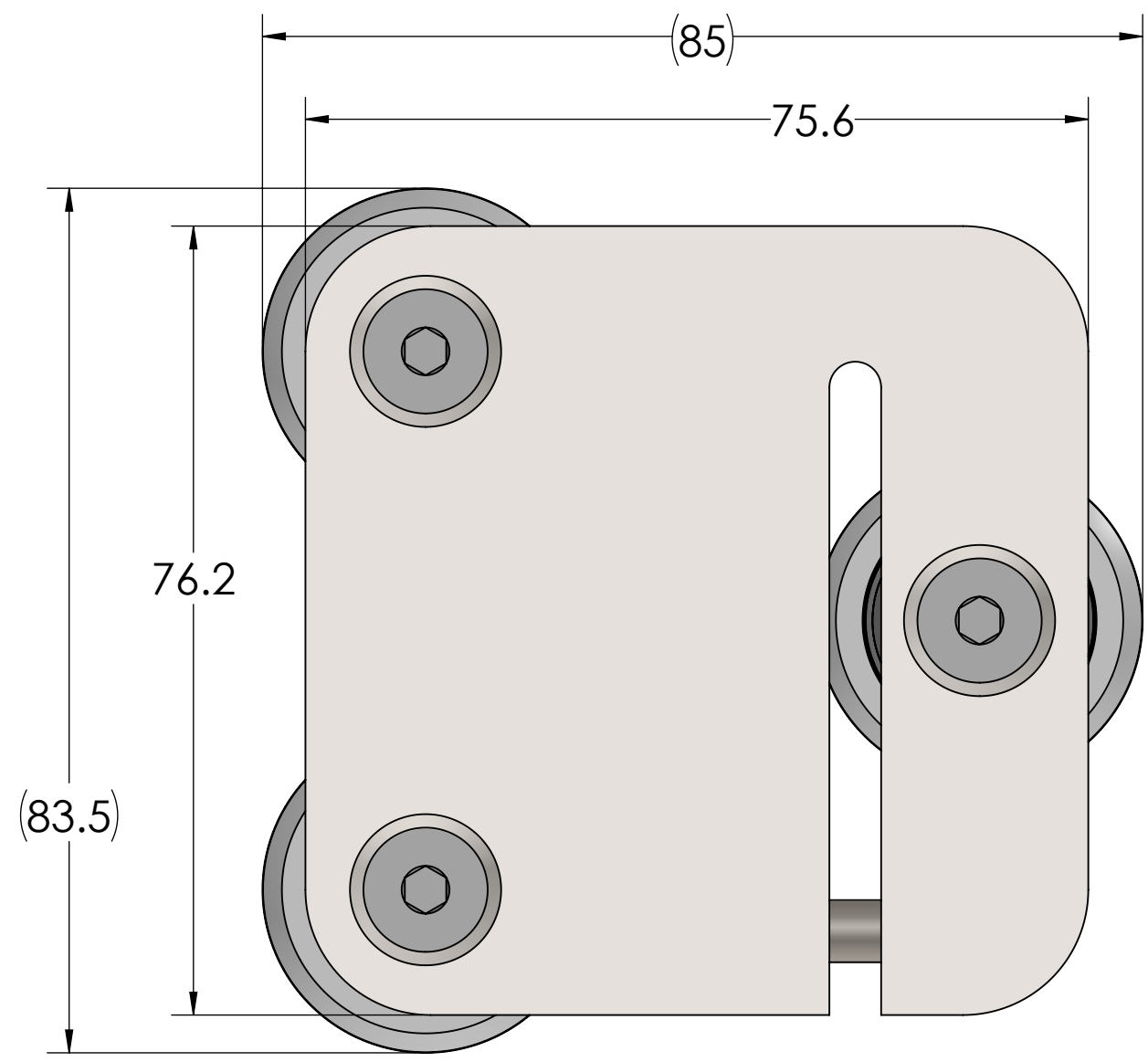
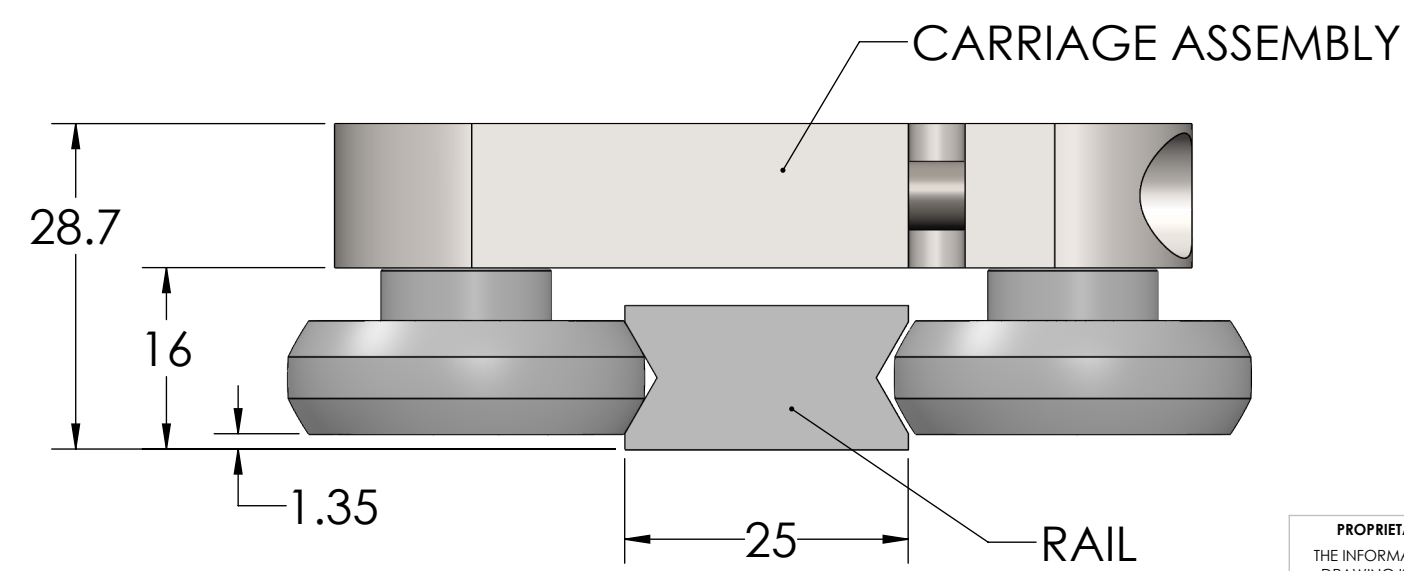
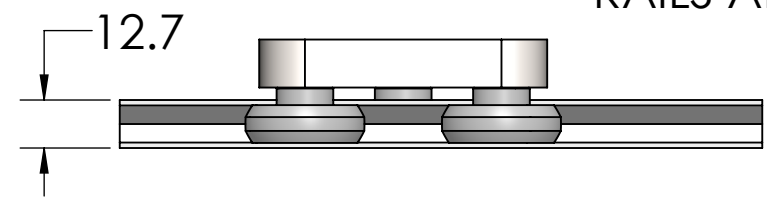


REVISIONS				
ZONE	REV.	DESCRIPTION	DATE	APPROVED



STRAIGHT RAIL SHOWN: #CR40-L0170  
\*RAILS ARE PURCHASED SEPERATELY



END VIEW

DIMENSIONS ARE SHOWN IN MILLIMETERS.

UNLESS OTHERWISE SPECIFIED:		NAME	DATE
(X.XXX) = CRITICAL / INSPECTION		DRAWN	MAB 5/8/2019
TOLERANCES		APPROVED	
ANGULAR	±.5 deg.		
ONE PLACE DECIMAL	±.020 in		
TWO PLACE DECIMAL	±.010 in		
THREE PLACE DECIMAL	±.005 in		
GEOMETRIC TOLERANCING PER: ANSI/ASME Y14.1 STANDARD			
MATERIAL	SEE NOTES	THIRD ANGLE PROJECTION	
FINISH	SEE NOTES		
DO NOT SCALE DRAWING			

<b>TPA, FORT MILL SC</b>	
DESCRIPTION:	
<b>CR40-C3-NO WITH CR40-L0170 ASSEMBLY</b>	
SIZE	DWG. NO.
B	CR40-C3-NO
SCALE: 1:1	WEIGHT:
	SHEET 1 OF 1

**PROPRIETARY AND CONFIDENTIAL**  
THE INFORMATION CONTAINED IN THIS DRAWING IS THE SOLE PROPERTY OF THE PRECISION ALLIANCE (TPA) LOCATED IN FORT MILL, SOUTH CAROLINA. ANY REPRODUCTION IN PART OR AS A WHOLE WITHOUT THE WRITTEN PERMISSION OF TPA IS PROHIBITED.