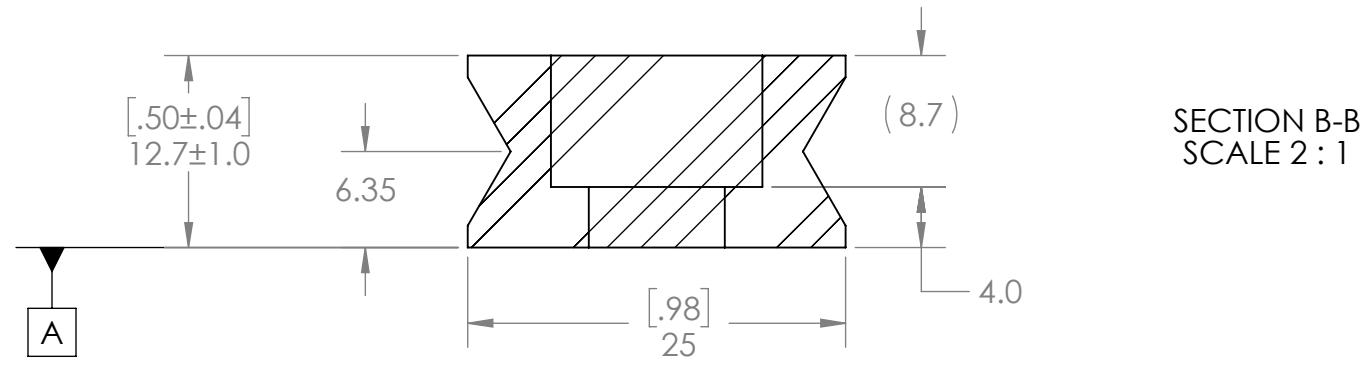
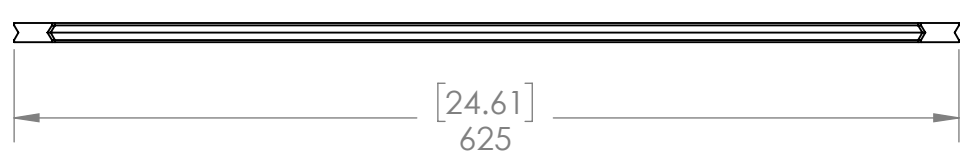
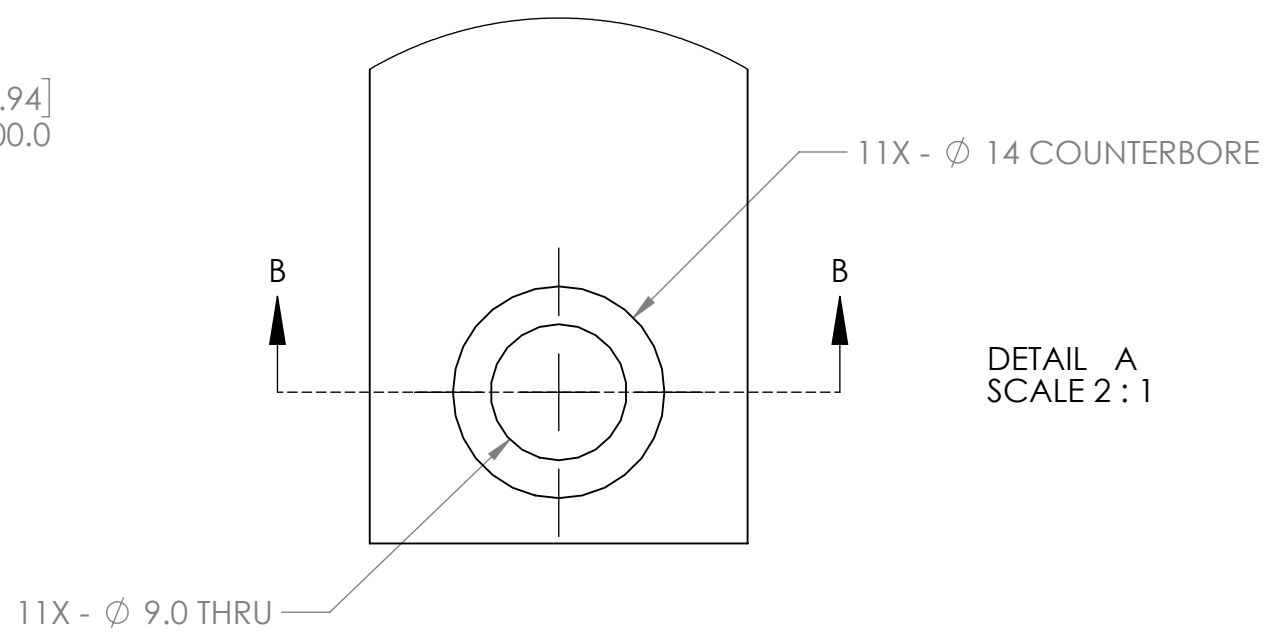
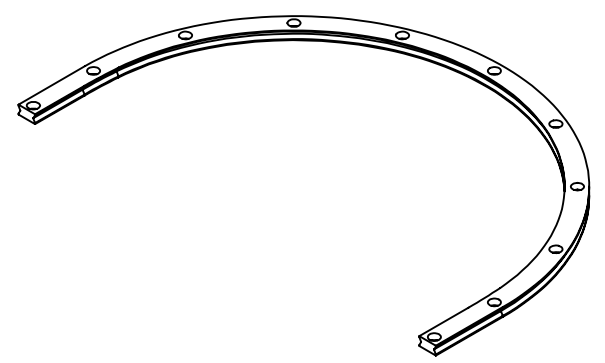
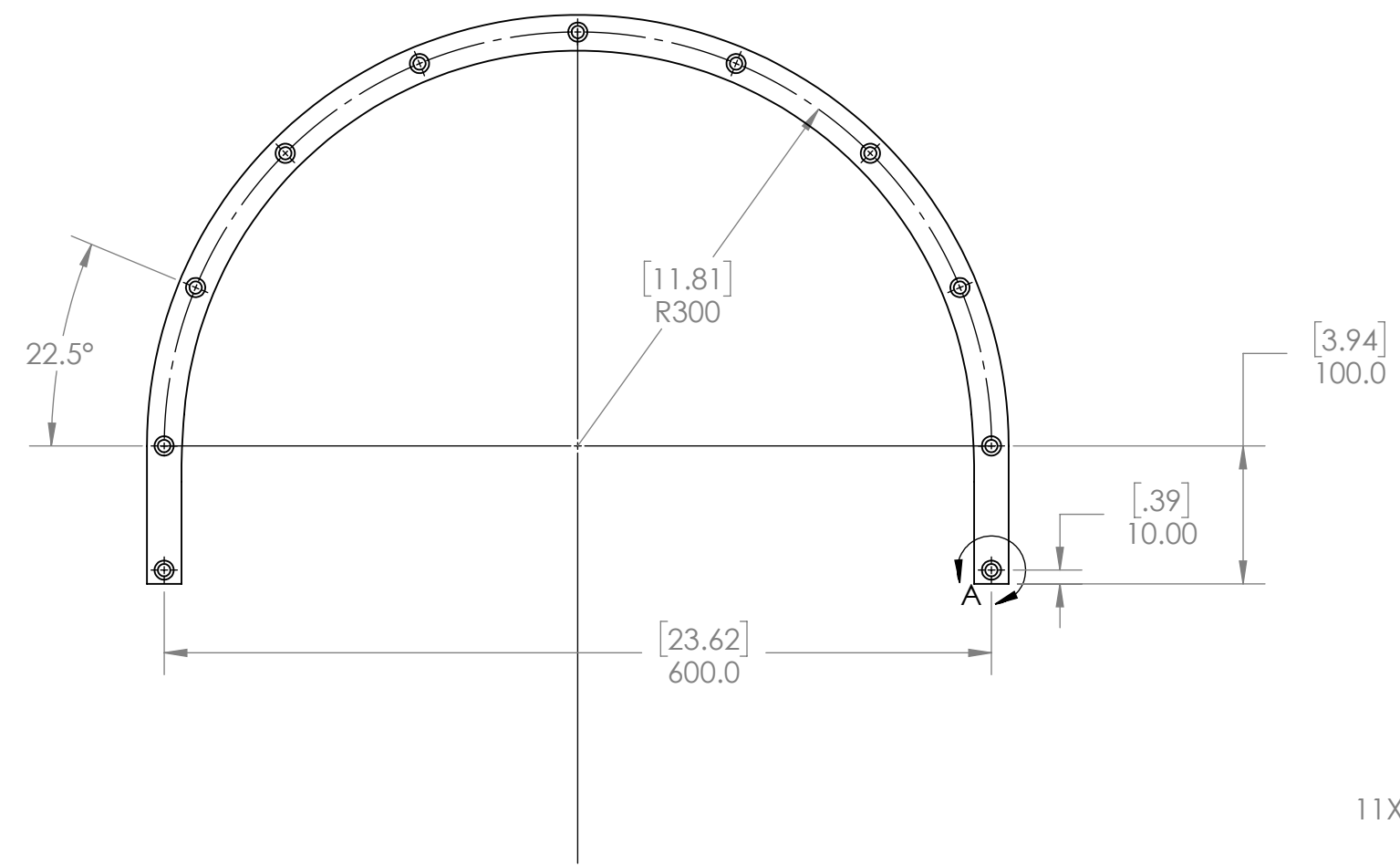


8 7 6 5 4 3 2 1

E
D
C
B
A



UNLESS OTHERWISE SPECIFIED:		NAME	DATE	TPA, FORT MILL SC	
DIMENSIONS ARE IN	MILLIMETERS	DRAWN	DC	6/9/2018	DESCRIPTION:
TOLERANCES	INCHES	MM	APPROVED	DC	CR40 Curved Rail
ANGULAR	±.5 DEG	±.5 DEG			
ONE PLACE DECIMAL	±.050"	±1.00mm			
TWO PLACE DECIMAL	±.010"	±.250mm			
THREE PLACE DECIMAL	±.005"	±.100mm			
INTERPRET GEOMETRIC TOLERANCING PER:	THIRD ANGLE PROJECTION		SIZE	DWG. NO.	REV
MATERIAL			B	CR40-R300-A180-NB	
FINISH	DO NOT SCALE DRAWING		SCALE:	WEIGHT:	SHEET 1 OF 1
<p>PROPRIETARY AND CONFIDENTIAL THE INFORMATION CONTAINED IN THIS DRAWING IS THE SOLE PROPERTY OF THE PRECISION ALLIANCE (TPA) LOCATED IN FORT MILL, SOUTH CAROLINA. ANY REPRODUCTION IN PART OR AS A WHOLE WITHOUT THE WRITTEN PERMISSION OF TPA IS PROHIBITED.</p>					

8 7 6 5 4 3 2 1