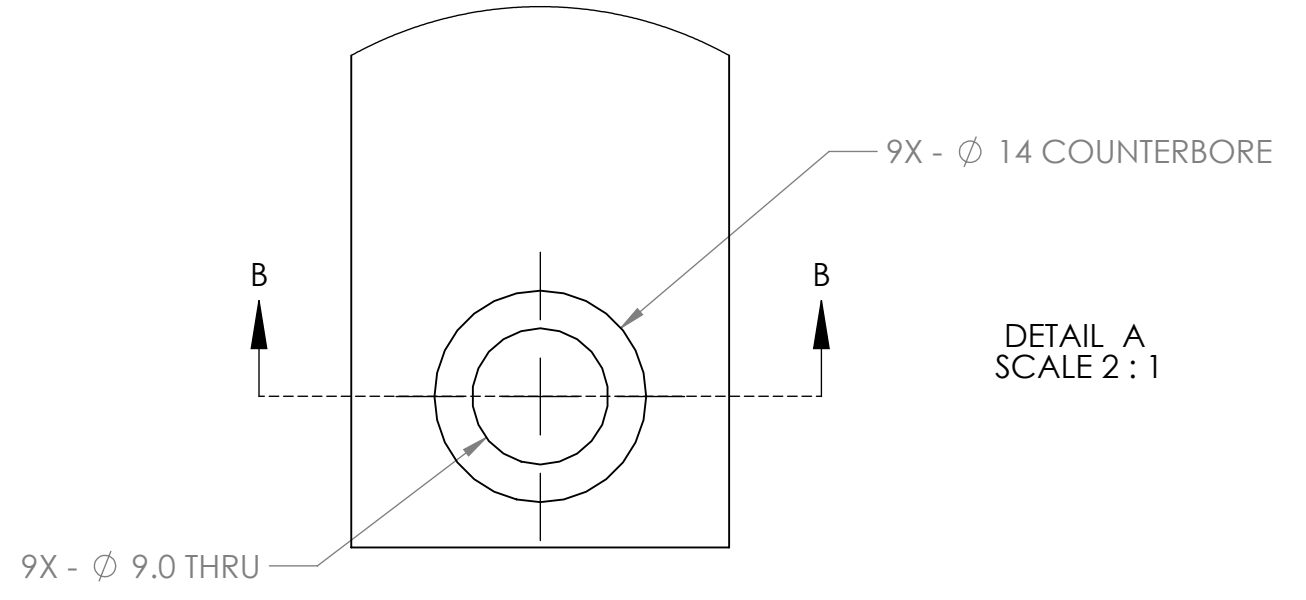
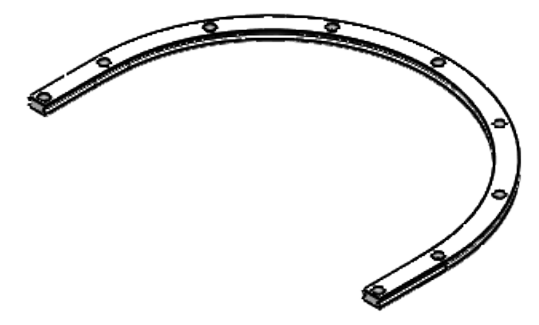
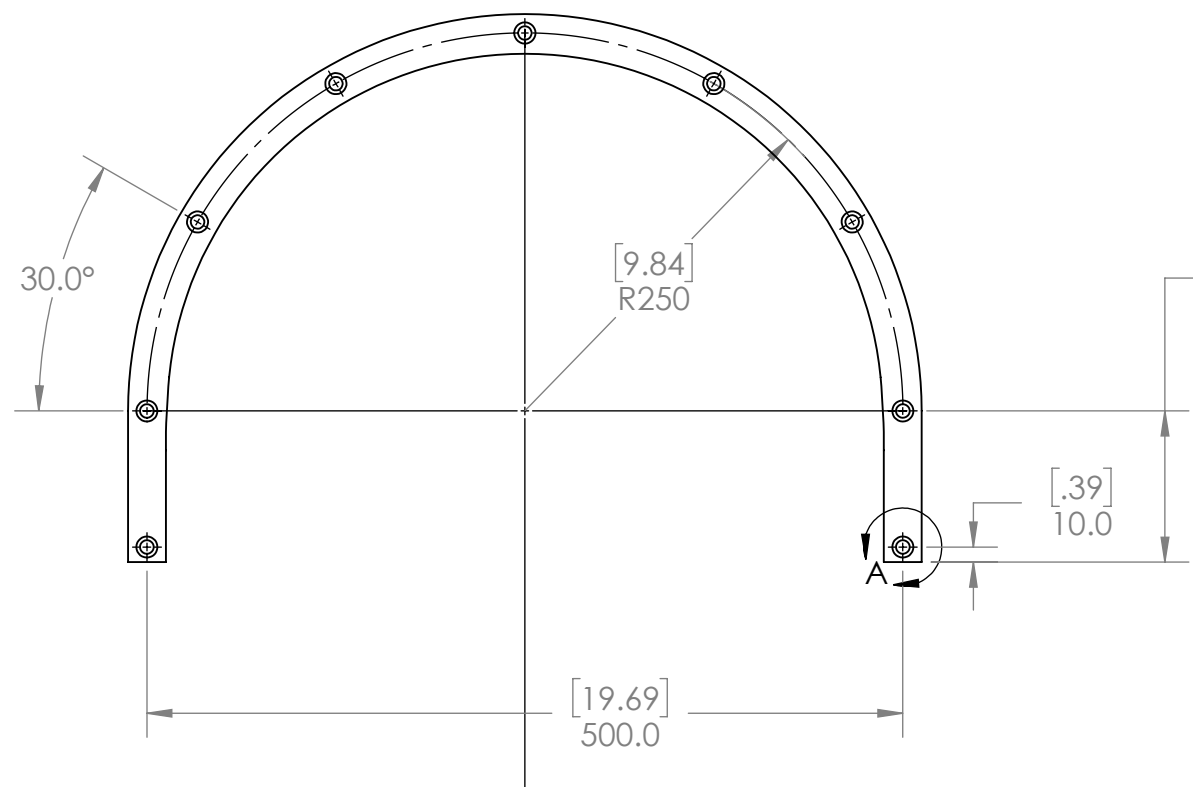


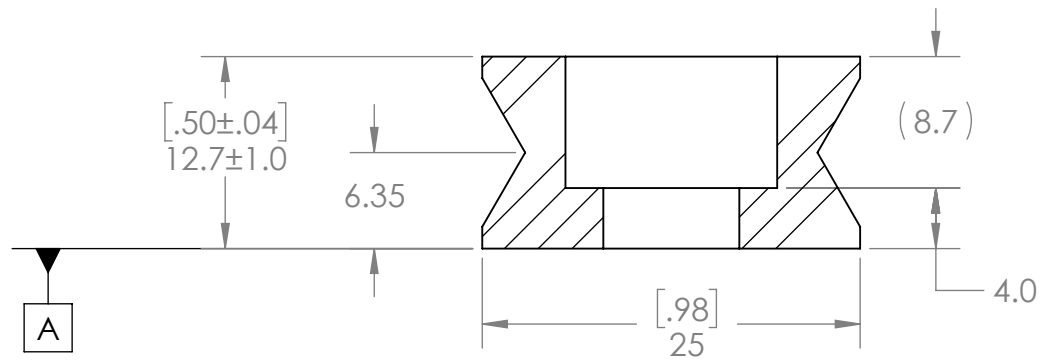
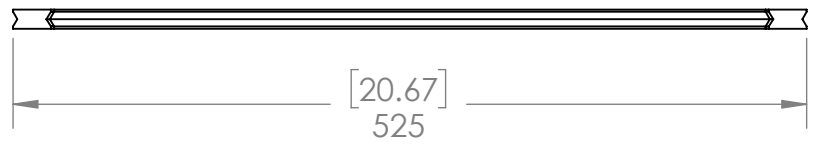
8 7 6 5 4 3 2 1

E  
D  
C  
B  
A

E  
D  
C  
B  
A



DETAIL A  
SCALE 2 : 1



SECTION B-B  
SCALE 2 : 1

UNLESS OTHERWISE SPECIFIED:		NAME	DATE	<b>TPA, FORT MILL SC</b>
DIMENSIONS ARE IN	MILLIMETERS	DRAWN	DC	
TOLERANCES	INCHES	MM	APPROVED	6/9/2018
ANGULAR	±.5 DEG	±.5 DEG		
ONE PLACE DECIMAL	±.050"	±1.00mm		
TWO PLACE DECIMAL	±.010"	±.250mm		
THREE PLACE DECIMAL	±.005"	±.100mm		
INTERPRET GEOMETRIC TOLERANCING PER:		THIRD ANGLE PROJECTION		DESCRIPTION:
MATERIAL				<b>CR40 Curved Rail</b>
FINISH		SIZE	DWG. NO.	REV
DO NOT SCALE DRAWING		<b>B</b>	CR40-R250-A180-NB	
		SCALE:	WEIGHT:	SHEET 1 OF 1

**PROPRIETARY AND CONFIDENTIAL**  
 THE INFORMATION CONTAINED IN THIS DRAWING IS THE SOLE PROPERTY OF THE PRECISION ALLIANCE (TPA) LOCATED IN FORT MILL, SOUTH CAROLINA. ANY REPRODUCTION IN PART OR AS A WHOLE WITHOUT THE WRITTEN PERMISSION OF TPA IS PROHIBITED.

8 7 6 5 4 3 2 1