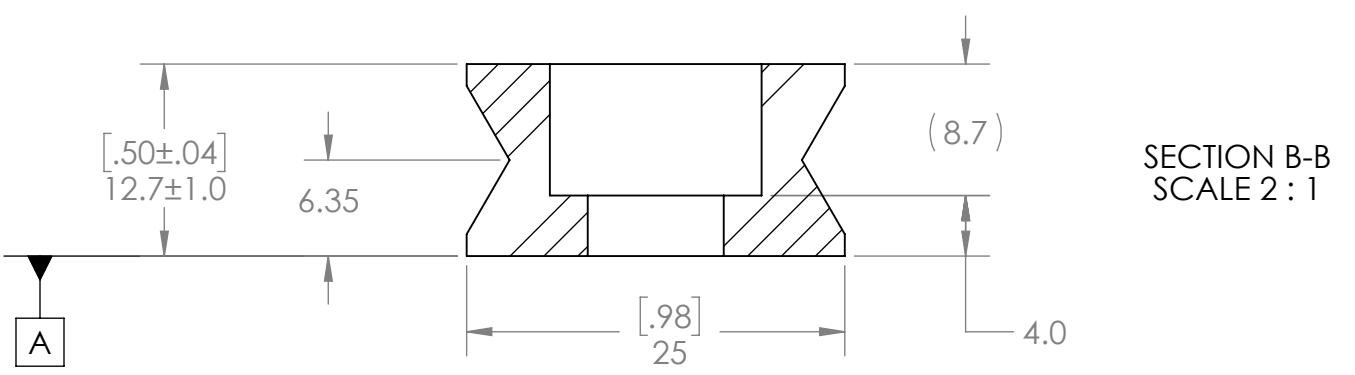
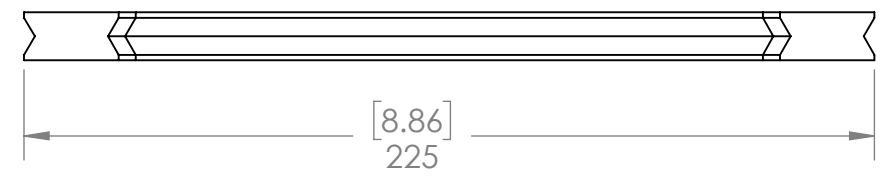
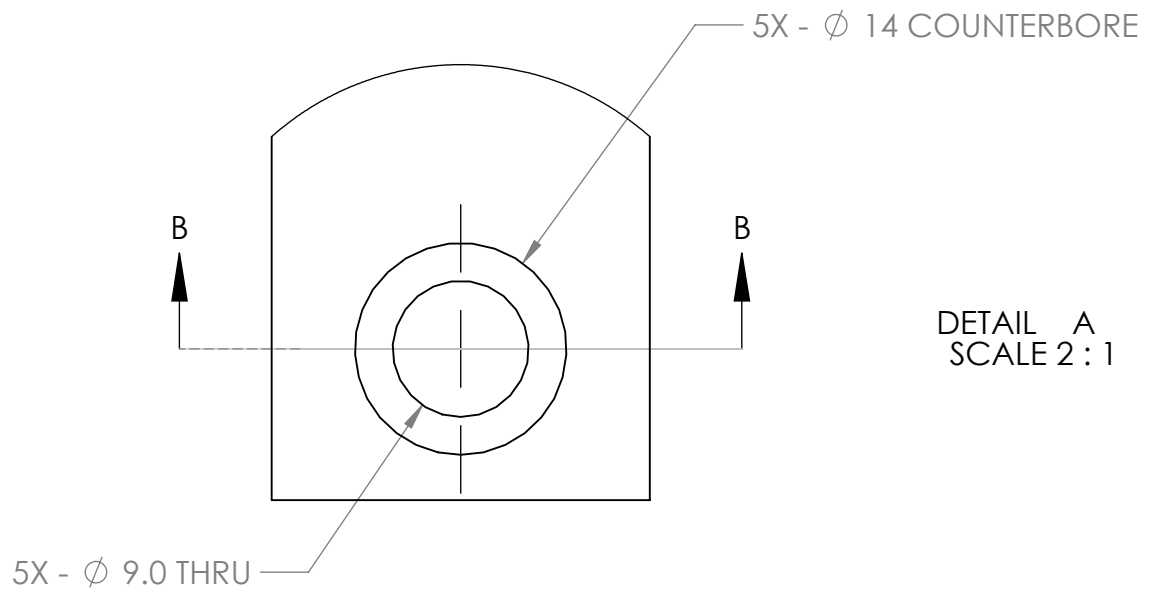
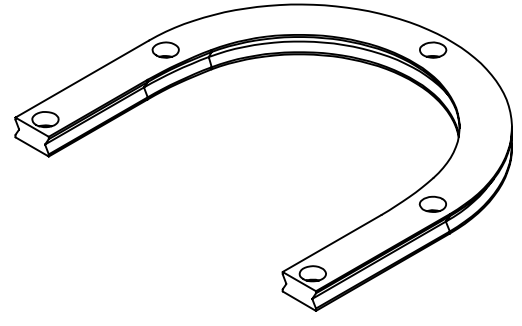
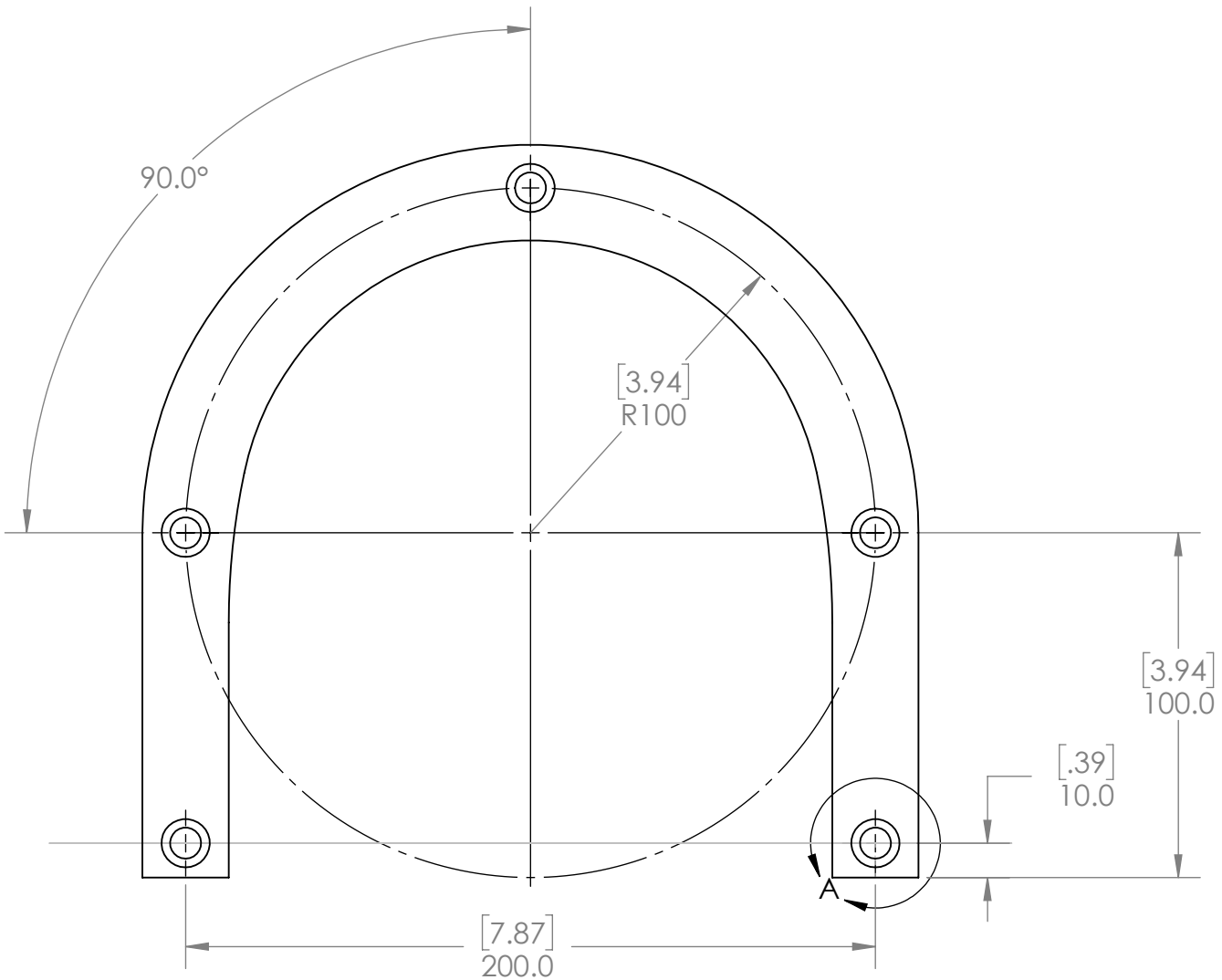


8 7 6 5 4 3 2 1

E  
D  
C  
B  
A

E  
D  
C  
B  
A



UNLESS OTHERWISE SPECIFIED:		NAME	DATE	<b>TPA, FORT MILL SC</b>		
DIMENSIONS ARE IN <b>MILLIMETERS</b>		DRAWN	DC		6/9/2018	
TOLERANCES	INCHES	MM	APPROVED	DC	DESCRIPTION: <h2 style="margin: 0;">CR40 Curved Rail</h2>	
ANGULAR	±.5 DEG	±.5 DEG				
ONE PLACE DECIMAL	±.050"	±1.00mm				
TWO PLACE DECIMAL	±.010"	±.250mm				
THREE PLACE DECIMAL	±.005"	±.100mm				
INTERPRET GEOMETRIC TOLERANCING PER:		THIRD ANGLE PROJECTION 		SIZE	DWG. NO.	REV
MATERIAL				<b>B</b>	CR40-R100-A180-NB	
FINISH				SCALE: 1:2	WEIGHT:	SHEET 1 OF 1
DO NOT SCALE DRAWING						

**PROPRIETARY AND CONFIDENTIAL**  
 THE INFORMATION CONTAINED IN THIS DRAWING IS THE SOLE PROPERTY OF THE PRECISION ALLIANCE (TPA) LOCATED IN FORT MILL, SOUTH CAROLINA. ANY REPRODUCTION IN PART OR AS A WHOLE WITHOUT THE WRITTEN PERMISSION OF TPA IS PROHIBITED.

8 7 6 5 4 3 2 1