



TPA

The Precision Alliance
4215 Pleasant Road
Fort Mill, SC 29708

1-800-284-9784

Website: www.linearpositioningsystems.com

Need to save space or lower the overall weight of your designs? Try our Thin Section Bearings!

Thin Section Bearing Products

These bearings were designed as a lightweight alternative to conventional deep groove ball bearings. They fill the need for a relatively large bore bearing with a thin cross section. Features include:

- Fully Hardened Inner and Outer Rings
- Constant Cross Section
- Light Weight and Compact
- Low Torque Anti-friction Bearing



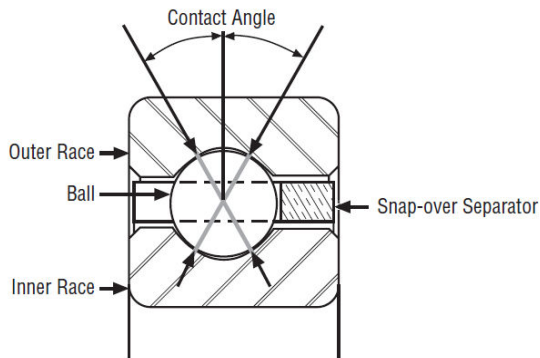
Sealed Bearing



Unsealed Bearing

Four-Point Contact (Type X) Design

Our four-point contact bearings are designed with an internal gothic arch geometry. It enables these bearings to carry radial, axial, and moment load simultaneously. This makes it the bearing of choice for many applications since it can often replace two bearings simplifying many designs.



Custom Materials For OEM Applications

For OEM, high volume, or specific application requirements we can alter the component materials to increase life or performance. These include:

- Ceramic balls
- Special Plating
- Polymer Retainer
- Stainless Steel

Specifications for Standard Bearings

MATERIALS	
Raceways & Balls	AISI 52100 or Equivalent Bearing Steel
Separator	Brass
Seals	NBR Rubber, Steel Reinforced
HEAT TREATMENT	
Raceways	Through Hardened
Balls	Hardened to Rc 62-66
SEPARATOR DESIGN	
4 pt Bearings	Snap Over
PRECISION	
Raceways	Precision Class 1



TPA

The Precision Alliance
4215 Pleasant Road
Fort Mill, SC 29708

1-800-284-9784

Website: www.linearpositioningsystems.com

Need to save space or lower the overall weight of your designs? Try our Thin Section Bearings!

Thin Section Bearing Products

These bearings were designed as a lightweight alternative to conventional deep groove ball bearings. They fill the need for a relatively large bore bearing with a thin cross section. Features include:

- Fully Hardened Inner and Outer Rings
- Constant Cross Section
- Light Weight and Compact
- Low Torque Anti-friction Bearing



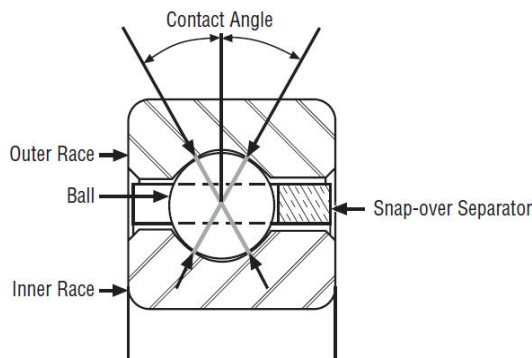
Sealed Bearing



Unsealed Bearing

Four-Point Contact (Type X) Design

Our four-point contact bearings are designed with an internal gothic arch geometry. It enables these bearings to carry radial, axial, and moment load simultaneously. This makes it the bearing of choice for many applications since it can often replace two bearings simplifying many designs.



Custom Materials For OEM Applications

For OEM, high volume, or specific application requirements we can alter the component materials to increase life or performance. These include:

- Ceramic balls
- Special Plating
- Polymer Retainer
- Stainless Steel

Specifications for Standard Bearings

MATERIALS	
Raceways & Balls	AISI 52100 or Equivalent Bearing Steel
Separator	Brass
Seals	NBR Rubber, Steel Reinforced
HEAT TREATMENT	
Raceways	Through Hardened
Balls	Hardened to Rc 62-66
SEPARATOR DESIGN	
4 pt Bearings	Snap Over
PRECISION	
Raceways	Precision Class 1