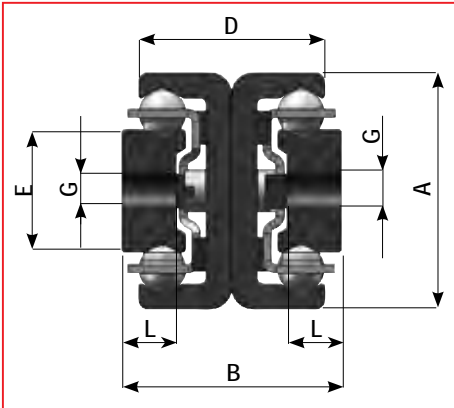
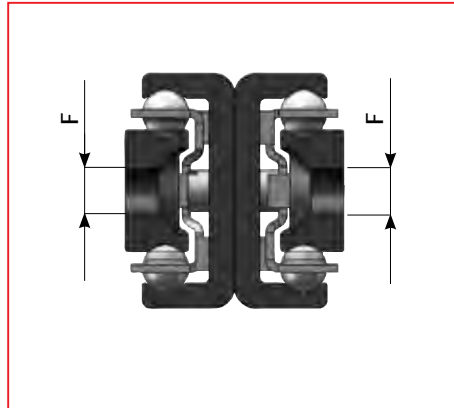


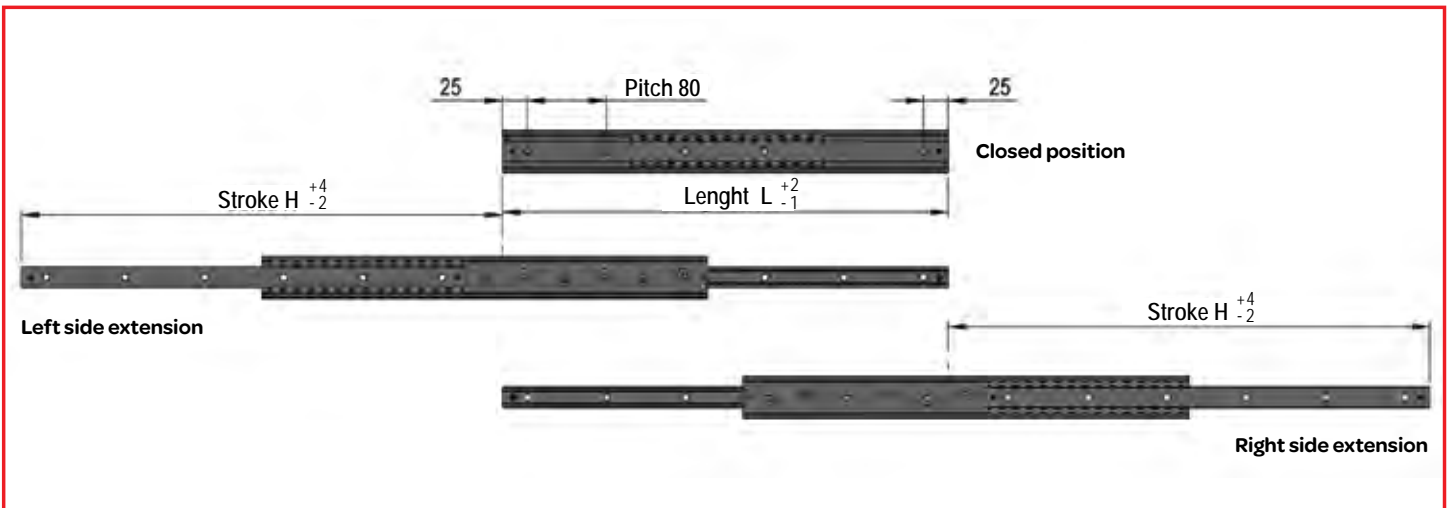
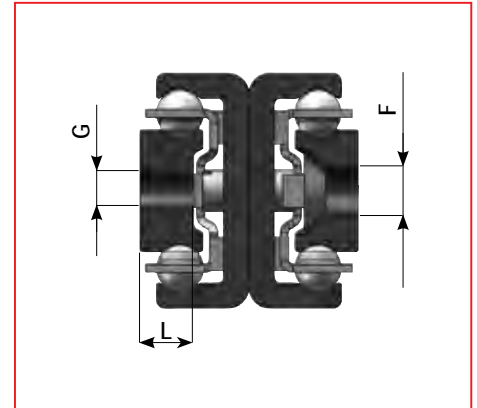
TSQ. standard
Threaded holes both sides.



TSQ.S version
C'sunk fixing holes both sides.



TSQ.M version
C'sunk fixing holes and other side with threaded fixing holes.



Note: The slide is provided with a set screw which limits the stroke of the movable sliders in one direction for a stroke equal to H, by removing the screw it is possible to move the sliders in the opposite direction to obtain a double stroke equal to 2H.

Code	A (mm)	B (mm)	D (mm)	E (mm)	G (mm)	L* (mm)	F (mm)
TSQ.28.	28	26	23	14,5	M5	6	Hole for screw M5 DIN7991
TSQ.43.	43	44	36,6	21	M8	11,5	Hole for screw M8 DIN7991

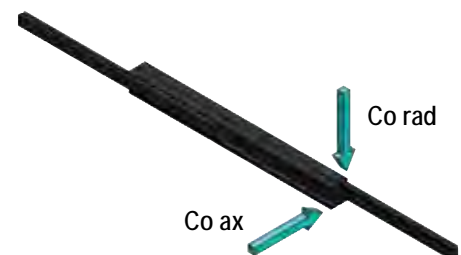
* Thread not through passing, value equals usable thread

The slide TSQX offers high corrosion resistance, with all components and intermediate element in INOX, except the rails. The TSQX have the same dimensions and performance as standard version TSQ. Could be provided the versions G1 with light play and the version P1 with light preload.

Order code ex. :

- TSQ28-610** standard slide
- TSQX28-610-P1** slide with high corrosion resistance and preload P1
- TSQX28-610** slide with high corrosion resistance

The nominal load capacities **Co rad** are all based for load related to centered load position **P**, in the middle of the single slide. For applications with load in other positions, please refer to page 74. Load capacities are indicated per single slide. For flexion **f** in relation to applied load and its position, please refer to page 76.



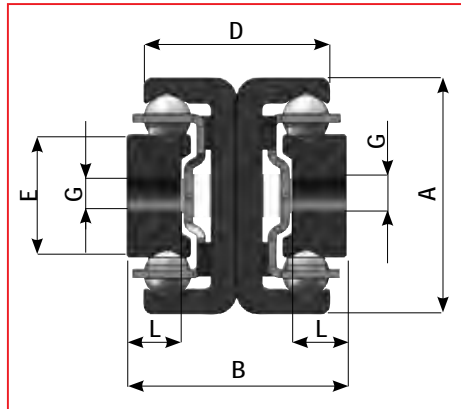
Code	Lenght L (mm)	Stroke H (mm)	Dynamic coefficient C (N)	Load capacity Co rad (N)	Load capacity Co ax (N)	Weight (kg)
TSQ.28.-130	130	132	392	259	151	0,4
TSQ.28.-210	210	238	685	454	265	0,7
TSQ.28.-290	290	326	979	649	379	1,1
TSQ.28.-370	370	414	1273	844	358	1,4
TSQ.28.-450	450	484	1759	1173	316	1,7
TSQ.28.-530	530	570	2051	1037	266	2
TSQ.28.-610	610	640	2547	944	242	2,3
TSQ.28.-690	690	728	2839	825	211	2,6
TSQ.28.-770	770	798	3340	765	196	2,9
TSQ.28.-850	850	886	3630	685	175	3,2
TSQ.28.-930	930	954	4134	643	165	3,5
TSQ.28.-1010	1010	1042	4422	585	150	3,8
TSQ.28.-1090	1090	1130	4712	537	138	4,1
TSQ.28.-1170	1170	1200	5217	511	131	4,4

Code	Lenght L (mm)	Stroke H (mm)	Dynamic coefficient C (N)	Load capacity Co rad (N)	Load capacity Co ax (N)	Weight (kg)
TSQ.43.-210	210	228	968	636	410	1,9
TSQ.43.-290	290	304	1657	1098	709	2,7
TSQ.43.-370	370	408	1891	1246	804	3,4
TSQ.43.-450	450	484	2583	1710	1104	4,2
TSQ.43.-530	530	560	3289	2187	1105	4,9
TSQ.43.-610	610	636	4005	2670	992	5,7
TSQ.43.-690	690	740	4727	3158	901	6,4
TSQ.43.-770	770	816	4924	2733	774	7,2
TSQ.43.-850	850	892	5642	2532	717	7,9
TSQ.43.-930	930	968	6363	2359	668	8,7
TSQ.43.-1010	1010	1044	7088	2208	625	9,4
TSQ.43.-1090	1090	1120	7816	2075	587	10,2
TSQ.43.-1170	1170	1196	8545	1957	554	10,9
TSQ.43.-1250	1250	1272	9277	1852	524	11,7
TSQ.43.-1330	1330	1376	9450	1690	478	12,4
TSQ.43.-1410	1410	1478	10178	1611	456	13,2
TSQ.43.-1490	1490	1554	10908	1539	436	13,9
TSQ.43.-1570	1570	1630	11639	1473	417	14,7
TSQ.43.-1650	1650	1706	12371	1413	400	15,4
TSQ.43.-1730	1730	1782	13104	1357	384	16,2
TSQ.43.-1810	1810	1858	13838	1306	370	16,9
TSQ.43.-1890	1890	1962	14001	1223	346	17,7
TSQ.43.-1970	1970	2038	14733	1181	334	18,4

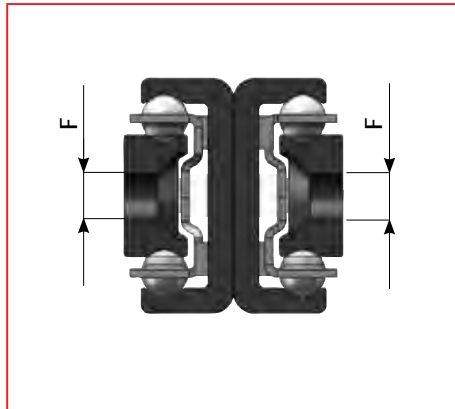


The telescopic slides of the series TSQR are equipped with robust stoppers with rubber shock absorber for dragging of the intermediate element during the extraction stage and in the phase of recovery and re-closing, significantly reducing the shock and noise derived from the impact and allowing a longer life. This telescopic slide allow the complete extraction in only one side.

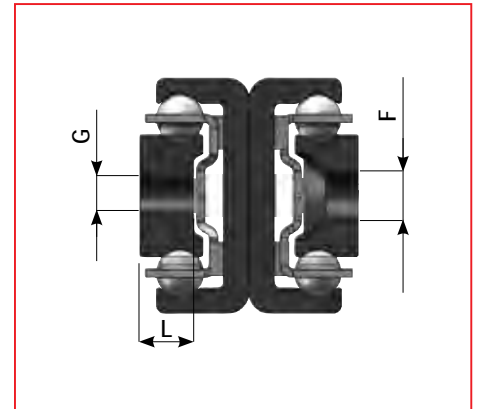
TSQR. standard
Threaded holes both sides.



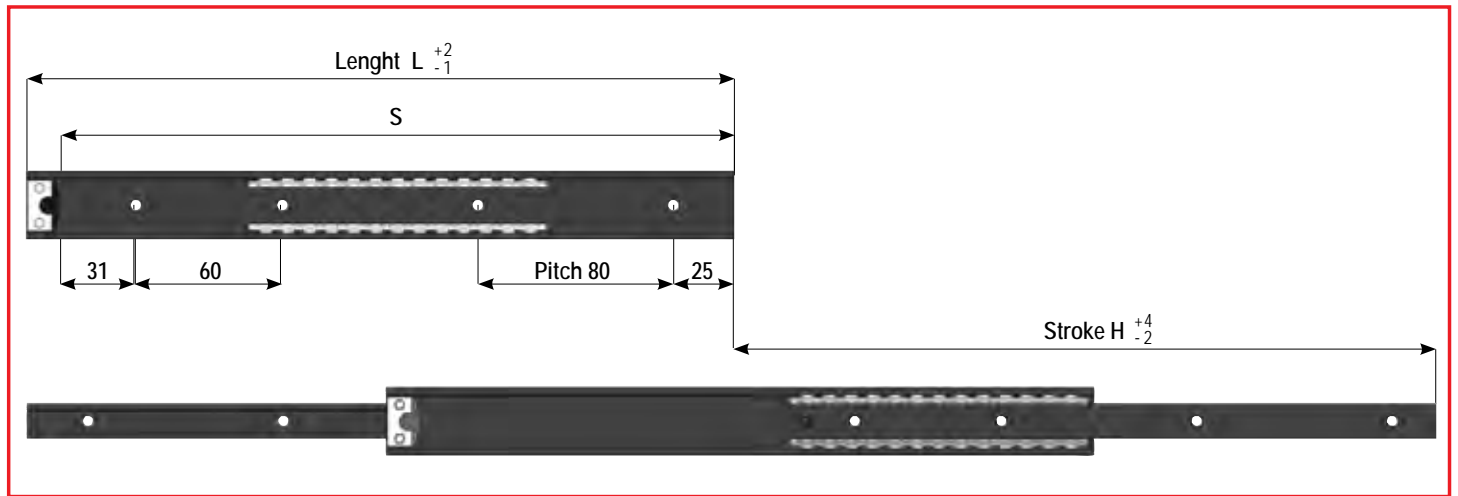
TSQR.S version
C'sunk fixing holes both sides.



TSQR.M version
C'sunk fixing holes and other side with threaded fixing holes.



Note: The fixed and mobile sliders, are equal to each other and slightly shorter (S) of the length of the closed telescopic slide (L). To gain access to the fixing holes for the version with countersunk holes is necessary to remove the stoppers on both sides and reassemble them again after fixing.



Code	A (mm)	B (mm)	D (mm)	E (mm)	G (mm)	L* (mm)	F (mm)
TSQR.28.	28	26	23	14,5	M5	6	Hole for screw M5 DIN7991
TSQR.43.	43	44	36,6	21	M8	11,5	Hole for screw M8 DIN7991

* Thread not through passing, value equals usable thread

The slide TSQRX offers high corrosion resistance, with all components and intermediate element in INOX, except the rails. The TSQRX have the same dimensions and performance as standard version TSQR. Could be provided the versions G1 with light play and the version P1 with light preload.

Order code ex. :

TSQR28-610 standard slide with single stroke

TSQRX28-610-P1 slide with high corrosion resistance and preload P1

TSQRX28-610 slide with high corrosion resistance

The nominal load capacities **Co rad** are all based for load related to centered load position **P**, in the middle of the single slide. For applications with load in other positions, please refer to page 74. Load capacities are indicated per single slide. For flexion **f** in relation to applied load and its position, please refer to page 76.

Ball-cage telescopic slides TSQR., TSQRX..

Code	Lenght L (mm)	Lenght S (mm)	Stroke H (mm)	Dynamic coefficient C (N)	Load capacity Co rad (N)	Load capacity Co ax (N)	Weight (kg)
TSQR.28.-130	130	116	134	392	259	151	0,4
TSQR.28.-210	210	196	222	685	454	265	0,7
TSQR.28.-290	290	276	292	979	649	379	1,1
TSQR.28.-370	370	356	380	1273	844	358	1,4
TSQR.28.-450	450	436	450	1759	1173	316	1,7
TSQR.28.-530	530	516	554	2051	1037	266	2
TSQR.28.-610	610	596	624	2547	944	242	2,3
TSQR.28.-690	690	676	712	2839	825	211	2,6
TSQR.28.-770	770	756	782	3340	765	196	2,9
TSQR.28.-850	850	836	870	3630	685	175	3,2
TSQR.28.-930	930	916	938	4134	643	165	3,5
TSQR.28.-1010	1010	996	1026	4422	585	150	3,8
TSQR.28.-1090	1090	1076	1096	4712	537	138	4,1
TSQR.28.-1170	1170	1156	1184	5217	511	131	4,4

Code	Lenght L (mm)	Lenght S (mm)	Stroke H (mm)	Dynamic coefficient C (N)	Load capacity Co rad (N)	Load capacity Co ax (N)	Weight (kg)
TSQR.43.-210	210	196	242	968	636	410	1,9
TSQR.43.-290	290	276	290	1657	1098	709	2,7
TSQR.43.-370	370	356	394	1891	1246	804	3,4
TSQR.43.-450	450	436	470	2583	1710	1104	4,2
TSQR.43.-530	530	516	546	3289	2187	1105	4,9
TSQR.43.-610	610	596	622	4005	2670	992	5,7
TSQR.43.-690	690	676	726	4727	3158	901	6,4
TSQR.43.-770	770	756	774	4924	2733	774	7,2
TSQR.43.-850	850	836	878	5642	2532	717	7,9
TSQR.43.-930	930	916	954	6363	2359	668	8,7
TSQR.43.-1010	1010	996	1030	7088	2208	625	9,4
TSQR.43.-1090	1090	1076	1106	7816	2075	587	10,2
TSQR.43.-1170	1170	1156	1210	8545	1957	554	10,9
TSQR.43.-1250	1250	1236	1258	9277	1852	524	11,7
TSQR.43.-1330	1330	1316	1362	9450	1690	478	12,4
TSQR.43.-1410	1410	1396	1436	10178	1611	456	13,2
TSQR.43.-1490	1490	1476	1512	10908	1539	436	13,9
TSQR.43.-1570	1570	1556	1588	11639	1473	417	14,7
TSQR.43.-1650	1650	1636	1664	12371	1413	400	15,4
TSQR.43.-1730	1730	1716	1740	13104	1357	384	16,2
TSQR.43.-1810	1810	1796	1844	13838	1306	370	16,9
TSQR.43.-1890	1890	1876	1892	14001	1223	346	17,7
TSQR.43.-1970	1970	1956	1996	14733	1181	334	18,4

