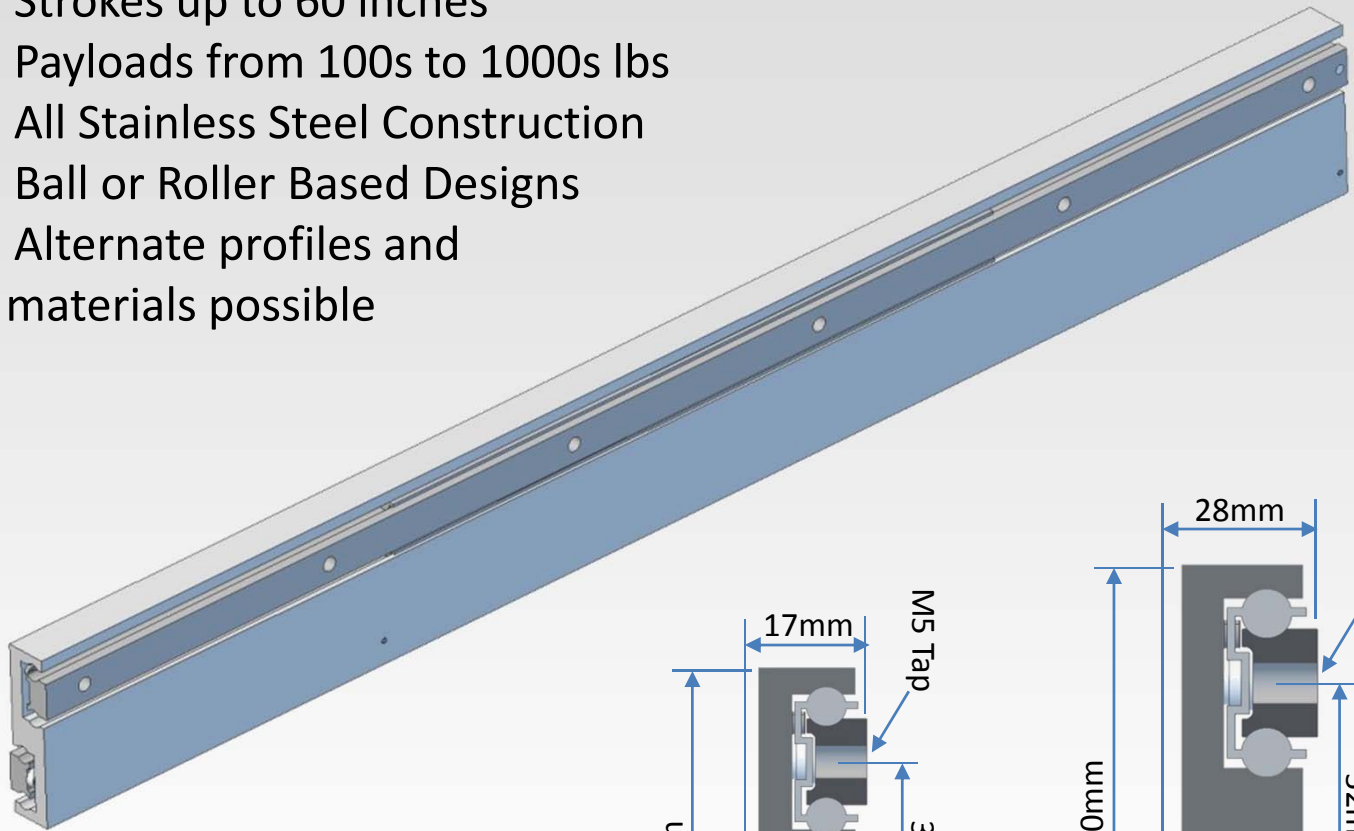


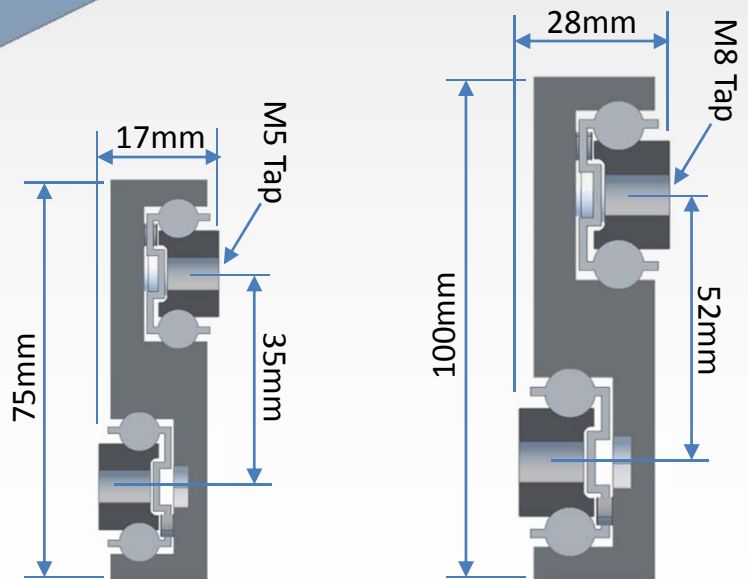


Heavy Duty Telescopic for Washdown Applications

- Strokes up to 60 inches
- Payloads from 100s to 1000s lbs
- All Stainless Steel Construction
- Ball or Roller Based Designs
- Alternate profiles and materials possible



“Ideal for rolling out machine subsystems for cleaning and maintenance purposes.”



Size 28

Size 43

Ball Based Design Materials

- Rails: 17-4PH
- Balls: AISI 440C or 316 SS
- Cage: AISI 304 SS
- Hardware: 17-4PH and 316 SS

Roller Based Design Materials

- Rails: 17-4PH
- Rollers: AISI 440C with rubber seals
- Hardware: AISI 316, A286, and 17-4PH

