

TSQ Installation Instructions

The TSQ has internal stops, which solely function to position the ball-cage and the intermediate element. These stops should not be used as end-stops for the payload. To stop the payload, strong external end-stops must be installed.

Figure 1 is the retracted position. Figure 2 is the extended position.

Fasteners	
TSQ28	M5
TSQ43	M8

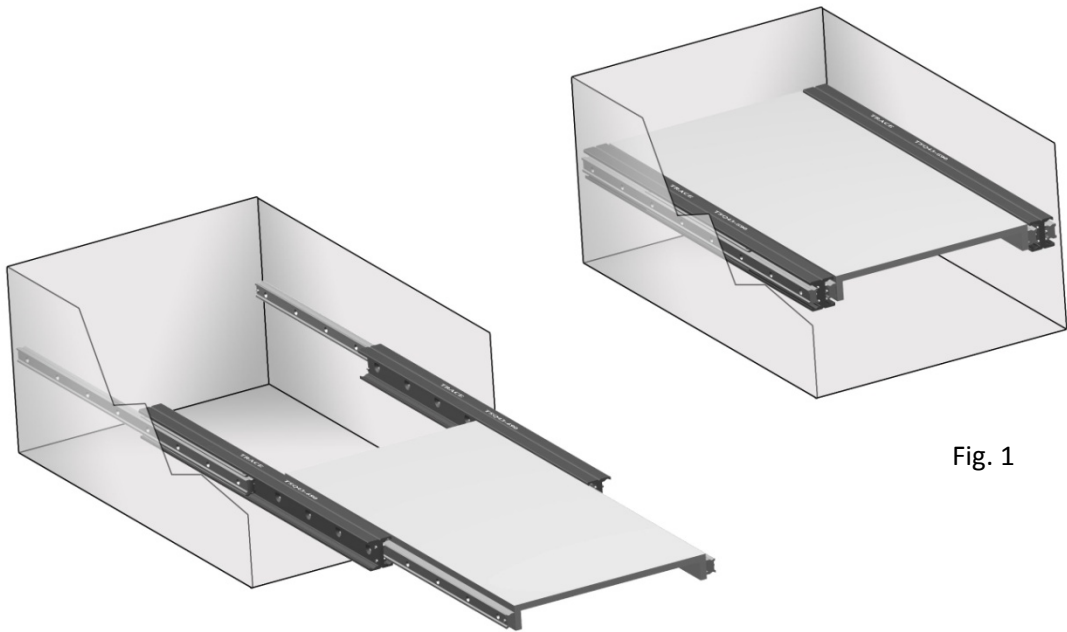


Fig. 2

Fig. 1



The Precision Alliance
4215 Pleasant Rd
Fort Mill, SC 29715
(803) 396-5544
(803) 396-7810