



Reliance

Precision Mechatronics LLP

Precision Motion Control Components & Mechatronic Assemblies

Belts & Pulleys



Reliance Standard & Customised Components



Belts & Pulleys

Associated Products



Quality system

Reliance operations are controlled by a quality management system approved to BS EN ISO 9001:2000.



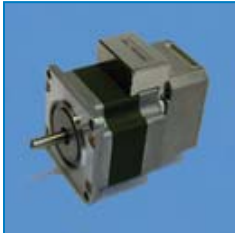
Standard products and assemblies

Accurate positioning from modifiable standards for instrumentation, measurement and light actuation applications.



Fasteners

A wide range of stainless steel screws and fasteners available. Alternative materials also available.



Stepper motors

A range of all in one drive servo systems. An intelligent driver with a 32-bit RISC CPU, a magnetic encoder and power management all built on to the motor.



Bearings & Spacers

Precision stainless steel ball bearings and bearing spacers with bores up to 10 mm. Bronze and plastic plain bearings with bores up to 12 mm available.



Product index

A general overview of Reliance's complete product range is available in the Reliance index brochure, or on the Reliance website at: www.rpmechatronics.co.uk



Page title	Page
Timing belts & pulleys.....	2
Application examples	6
Reinforced polyurethane cable chain	11
Cable chain sprockets	16
Stainless steel link chain & sprocket	20
Technical information	22
International sales representatives	25

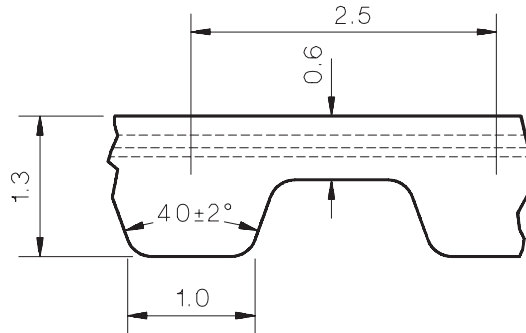


METRIC

2.5 mm pitch

All dimensions in mm
 General tolerances +/- 0.13mm
 Material: High tensile steel reinforced polyurethane
 Width: 6mm

Timing Belts



- Temperature range: -30°C to +80°C
 - Maximum allowable peripheral load:
 6mm wide = 65 N (14 lbs)
 10mm wide = 117N (26 lbs)
 - Maximum peripheral speed: 80 m/s
 - Belt width tolerance +/-0.3mm
- Additional options - please enquire**
- coloured
 - with kevlar tension members
 - anti-static
 - special polyurethanes
 - double sided belt

Operates with TXM25 series timing pulleys (page 3).

Part Number Selection Table					
Example Part No. - TXM25 F6- 168					
Basic Part Number	Belt Width	Length availability			
		No. of pitches	Length mm	No. of pitches	Length mm
TXM25	6mm F6-	22	55.0	127	317.5
		48	120.0	132	330.0
		58	145.0	152	380.0
		64	160.0	168	420.0
		71	177.5	192	480.0
		72	180.0	200	500.0
		73	182.5	240	600.0
		80	200.0	248	620.0
		92	230.0	260	650.0
		98	245.0	312	780.0
		106	265.0	380	950.0
		114	285.0		
116	290.0				

For 10 mm wide timing belts, please enquire.

Standard Product Sales : ☎ +44 (0)1484 601060 📠 +44 (0)1484 601061

www.rpmechatronics.co.uk

sales@rpmechatronics.co.uk

© Reliance Precision Mechatronics LLP

Timing Pulleys

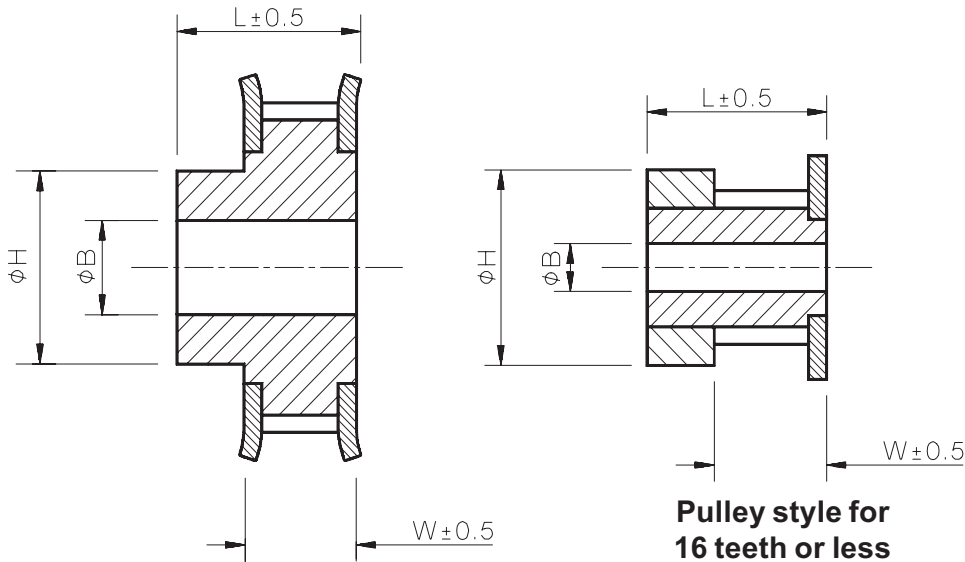
METRIC
2.5 mm pitch



Associated Products
Shafts

All dimensions in mm
General tolerances +/- 0.13mm
Material: Free machining
aluminium alloy pulley
Zinc plated steel flanges

When belt width = 6, W=10 & L=16



Operates with TXM25 series timing belts (page 2).

Part Number Selection Table						
Example Part No. - TPMP25 F6- 60						
Basic Part Number	Belt Width	No. of teeth	Pitch Diameter	Bore ϕB (H7)	Hub Diameter $\phi H \pm 1.0$	Backlash
TPMP25	6mm F6-	12	9.55	3	12	±0.08mm
		14	11.14	3	14	
		15	11.94	3	15	
		18	14.32	4	10	
		19	15.12	4	10	
		20	15.92	4	12	
		24	19.10	4	14	±0.15mm
		25	19.89	4	14	
		30	23.87	6	16	
		32	25.46	6	16	
		36	28.65	6	20	
		40	31.83	6	22	
		48	38.20	6	26	
		60	47.75	8	34	

Pulleys with 48 and 60 teeth are unflanged.

Additional options

- zero backlash pulleys
- 0, 1 or 2 flanges
- modified bore diameters
- other numbers of teeth
- tapped holes in hubs
- keyed bores

Standard Product Sales : ☎ +44 (0)1484 601060 📠 +44 (0)1484 601061

www.rpmechatronics.co.uk

sales@rpmechatronics.co.uk

© Reliance Precision Mechatronics LLP

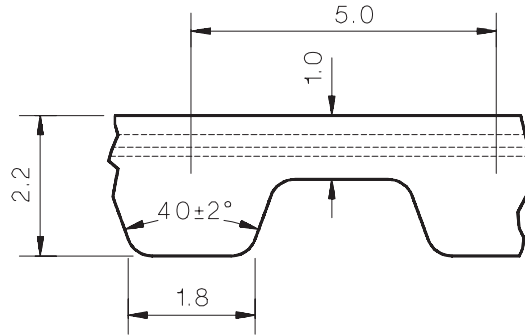


METRIC

5 mm pitch

Timing Belts

All dimensions in mm
 General tolerances +/- 0.13mm
 Material: High tensile steel reinforced polyurethane
 Width: 10mm and 16mm



- Temperature range: -30°C to +80°C
- Maximum allowable peripheral load:
 - 10mm wide = 330 N (74 lbs)
 - 16mm wide = 570 N (128lbs)
- Maximum peripheral speed: 80 m/s
- Belt width tolerance +/-0.3mm
- **Additional options - please enquire**
 - coloured
 - with kevlar tension members
 - anti-static
 - special polyurethanes
 - double sided belt

Operates with TXM50 series timing pulleys (page 5).

Part Number Selection Table							
Example Part No. TXM50 F10- 60							
Basic Part Number	Belt Width	Length availability					
		No. of pitches	Length mm	No. of pitches	Length mm	No. of pitches	Length mm
TXM50	10mm F10-	20	100.0	66	330.0	138	690.0
		30	150.0	68	340.0	140	700.0
		33	165.0	73	365.0	145	725.0
		36	180.0	80	400.0	150	750.0
		37	185.0	82	410.0	156	780.0
		40	200.0	84	420.0	163	815.0
	or 16mm F16-	42	210.0	91	455.0	168	840.0
		43	215.0	96	480.0	180	900.0
		45	225.0	100	500.0	185	925.0
		49	245.0	102	510.0	188	940.0
		50	250.0	105	525.0	198	990.0
		52	260.0	110	550.0	215	1075.0
		54	270.0	115	575.0	243	1215.0
		56	280.0	122	610.0	276	1380.0
		59	295.0	124	620.0		
				126	630.0		

Standard Product Sales : ☎ +44 (0)1484 601060 📠 +44 (0)1484 601061

www.rpmechatronics.co.uk

sales@rpmechatronics.co.uk

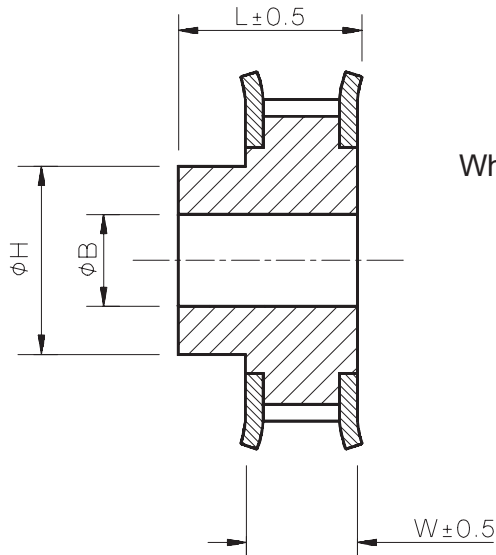
Timing Pulleys

METRIC
5 mm pitch



Associated Products
Shafts

All dimensions in mm
General tolerances +/- 0.13mm
Material: Free machining
aluminium alloy pulley
Zinc plated steel flanges



When Belt width = 10, W=15 & L=21
Belt width = 16, W=21 & L=27

Additional options

- zero backlash
- 0, 1 or 2 flanges
- with tapped holes
- keyed bores
- hubless
- any boss size/length

Operates with TXM50 series timing belts (page 4).

Part Number Selection Table							
<i>Example Part No. - TPMP50 F10- 60</i>							
Basic Part Number	Belt Width	No. of teeth	Pitch Diameter	Bore ϕB (H7)	Hub Diameter $\phi H \pm 1.0$	Backlash	
TPMP50	10mm F10-	10	15.92	4	8	±0.08mm	
		12	19.10	4	12		
		14	22.28	6	14		
		15	23.87	6	16		
		16	25.46	6	18		
		18	28.65	6	20		
		19	30.24	6	22		
		20	31.83	6	24		
	16mm F16-	or	24	38.20	6	26	±0.15mm
			25	39.79	6	26	
			27	42.97	8	30	
			30	47.75	8	34	
			32	50.93	8	38	
			36	57.30	8	38	
			40	63.66	8	40	
			48	76.39	8	50	
		60	95.49	8	65		

Pulleys with 48 and 60 teeth are unflanged.

Standard Product Sales : ☎ +44 (0)1484 601060 📠 +44 (0)1484 601061

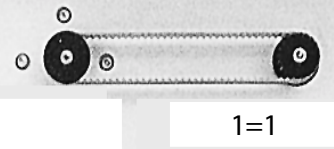
www.rpmechatronics.co.uk

sales@rpmechatronics.co.uk

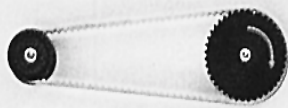
© Reliance Precision Mechatronics LLP



Reliance Timing Belt Drives



1=1



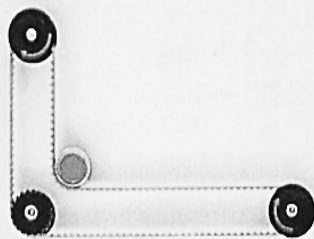
In line drive



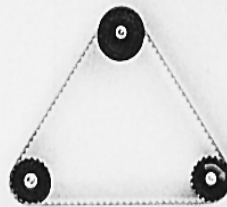
Idler pulley inside



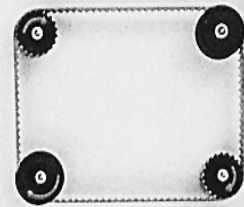
Idler pulley outside



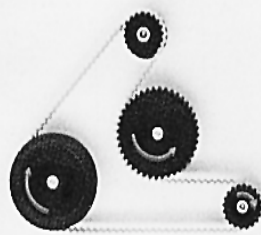
Right angle drive



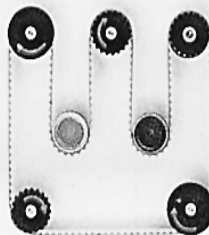
Triangular drive



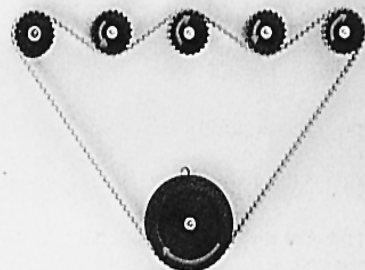
Rectangular drive



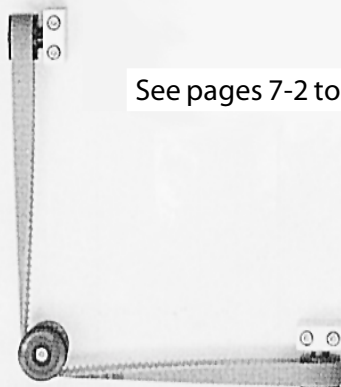
Reversing drive



Multi-shaft drive

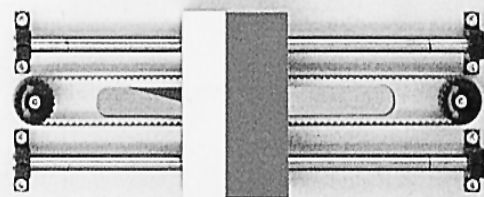


Multi-shaft drive



Angular drive

See pages 7-2 to 7-5



Positioning drive



Conveyor belt with moulded profiles

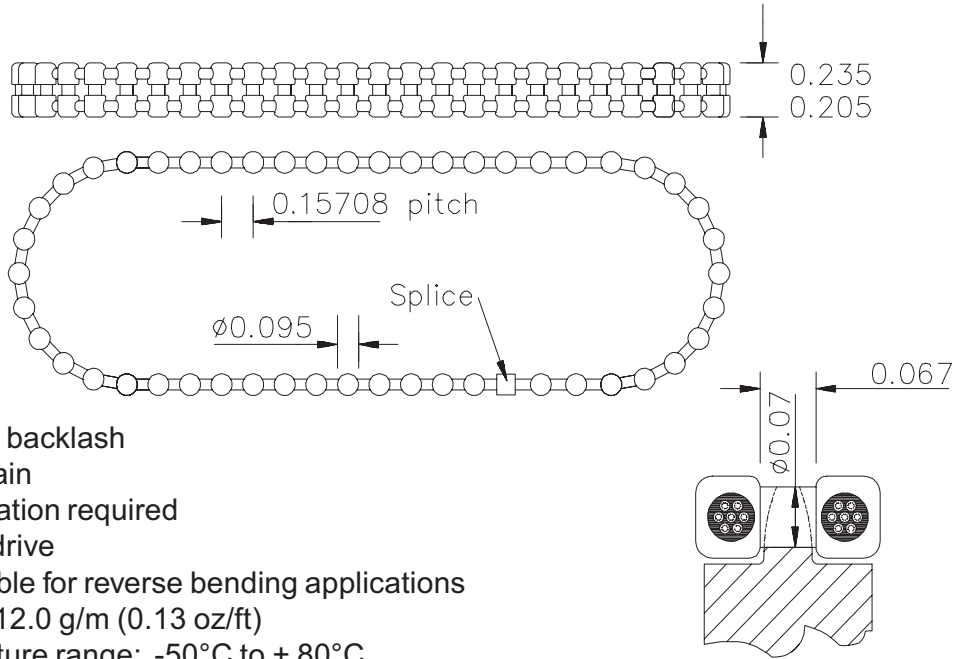
Cable Chain

INCH
0.15708" pitch



Associated Products
Sprockets - 6 mm bore
Sprockets - 1/4" bore

All dimensions in inches
General tolerances +/- 0.010"
Material: Stainless steel
reinforced polyurethane



- Minimum backlash
- Silent chain
- No lubrication required
- Positive drive
- Not suitable for reverse bending applications
- Weight: 12.0 g/m (0.13 oz/ft)
- Temperature range: -50°C to + 80°C
- Max load per pin: 3.1 N (0.7lbs)
- Max operating tensile strength: 178 N (40lbs)

Part Number	No. of pitches	Length inches
3CCF-30-E	30	4.712
3CCF-35-E	35	5.498
3CCF-40-E	40	6.283
3CCF-45-E	45	7.069
3CCF-50-E	50	7.854
3CCF-55-E	55	8.639
3CCF-60-E	60	9.425
3CCF-70-E	70	10.996
3CCF-80-E	80	12.566
3CCF-90-E	90	14.137
3CCF-100-E	100	15.708
3CCF-110-E	110	17.279
3CCF-120-E	120	18.850
3CCF-130-E	130	20.420
3CCF-140-E	140	21.991
3CCF-150-E	150	23.562
3CCF-160-E	160	25.133
3CCF-170-E	170	26.704
3CCF-180-E	180	28.274
3CCF-190-E	190	29.845
3CCF-200-E	200	31.416

Other lengths are available on request

Part Number	No. of pitches	Length inches
3CCF-210-E	210	32.987
3CCF-220-E	220	34.558
3CCF-230-E	230	36.128
3CCF-240-E	240	37.699
3CCF-250-E	250	39.270
3CCF-260-E	260	40.841
3CCF-270-E	270	42.412
3CCF-280-E	280	43.982
3CCF-290-E	290	45.553
3CCF-300-E	300	47.124
3CCF-310-E	310	48.695
3CCF-320-E	320	50.266
3CCF-330-E	330	51.836
3CCF-340-E	340	53.407
3CCF-350-E	350	54.978
3CCF-360-E	360	56.549
3CCF-370-E	370	58.120
3CCF-380-E	380	59.690
3CCF-400-E	400	62.832
3CCF-420-E	420	65.974
3CCF-440-E	440	69.115

May be purchased in open lengths up to 100 feet.

Example part number: [3CCF-75FT](#)

Standard Product Sales : ☎ +44 (0)1484 601060 📠 +44 (0)1484 601061

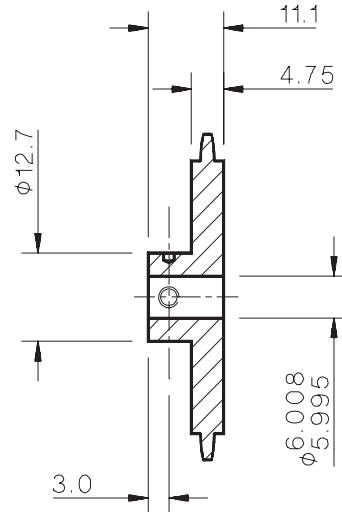
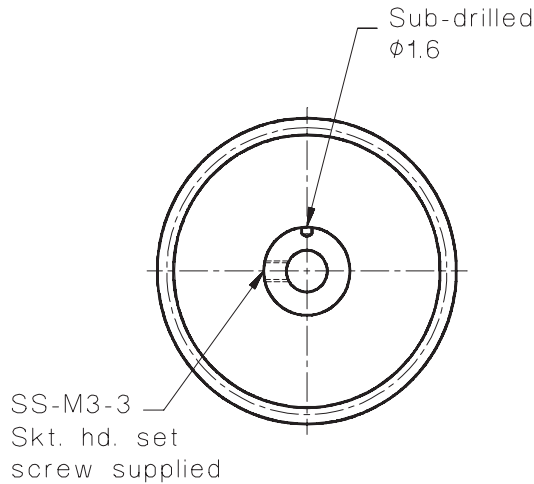


METRIC 0.15708" pitch

Sprockets

All dimensions in mm
General tolerances +/- 0.13mm

Associated Products
Shafts



Sprockets with 19mm pitch circle diameter and smaller recommended for idler use only. Operates with cable chain 3CCF series ([page 7](#)).

Part Number Selection Table				
Aluminium alloy	Stainless steel	Number of teeth	Pitch circle diameter	Outside diameter
3MP219A-12	3MP219S-12	12	15.24 #	16.79
3MP219A-14	3MP219S-14	14	17.78 #	19.33
3MP219A-15	3MP219S-15	15	19.05 #	20.57
3MP219A-16	3MP219S-16	16	20.32	21.87
3MP219A-18	3MP219S-18	18	22.86	24.38
3MP219A-20	3MP219S-20	20	25.40	26.92
3MP219A-22	3MP219S-22	22	27.94	29.46
3MP219A-25	3MP219S-25	25	31.75	33.27
3MP219A-26	3MP219S-26	26	33.02	34.54
3MP219A-28	3MP219S-28	28	35.56	37.08
3MP219A-30	3MP219S-30	30	38.10	39.62
3MP219A-32	3MP219S-32	32	40.64	42.16
3MP219A-35	3MP219S-35	35	44.45	45.95
3MP219A-36	3MP219S-36	36	45.72	47.22
3MP219A-40	3MP219S-40	40	50.80	52.30
3MP219A-45	3MP219S-45	45	57.15	58.65
3MP219A-50	3MP219S-50	50	63.50	64.97
3MP219A-55	3MP219S-55	55	69.85	71.32
3MP219A-60	3MP219S-60	60	76.20	77.67
3MP219A-65	3MP219S-65	65	82.55	84.00
3MP219A-70	3MP219S-70	70	88.90	90.35
3MP219A-75	3MP219S-75	75	95.25	96.70
3MP219A-80	3MP219S-80	80	101.60	103.02

Other numbers of teeth available on request.

Standard Product Sales : ☎ +44 (0)1484 601060 📠 +44 (0)1484 601061

www.rpmechatronics.co.uk

sales@rpmechatronics.co.uk

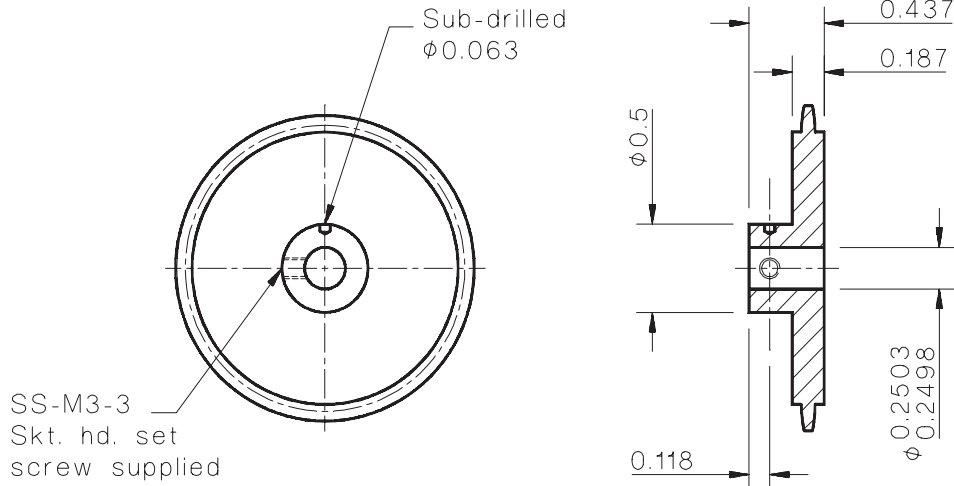
Sprockets

INCH
0.15708" pitch



Associated Products
Shafts

All dimensions in inches
General tolerances +/- 0.005"



Sprockets with 0.750" pitch circle diameter and smaller recommended for idler use only. Operates with cable chain 3CCF series ([page 7](#)).

Part Number Selection Table				
Aluminium alloy	Stainless steel	Number of teeth	Pitch circle diameter	Outside diameter
3MP28A-12	3MP28S-12	12	0.600 #	0.661
3MP28A-14	3MP28S-14	14	0.700 #	0.761
3MP28A-15	3MP28S-15	15	0.750 #	0.810
3MP28A-16	3MP28S-16	16	0.800	0.861
3MP28A-18	3MP28S-18	18	0.900	0.960
3MP28A-20	3MP28S-20	20	1.000	1.060
3MP28A-22	3MP28S-22	22	1.100	1.160
3MP28A-25	3MP28S-25	25	1.250	1.310
3MP28A-26	3MP28S-26	26	1.300	1.360
3MP28A-28	3MP28S-28	28	1.400	1.460
3MP28A-30	3MP28S-30	30	1.500	1.560
3MP28A-32	3MP28S-32	32	1.600	1.660
3MP28A-35	3MP28S-35	35	1.750	1.809
3MP28A-36	3MP28S-36	36	1.800	1.859
3MP28A-40	3MP28S-40	40	2.000	2.059
3MP28A-45	3MP28S-45	45	2.250	2.309
3MP28A-50	3MP28S-50	50	2.500	2.558
3MP28A-55	3MP28S-55	55	2.750	2.808
3MP28A-60	3MP28S-60	60	3.000	3.058
3MP28A-65	3MP28S-65	65	3.250	3.307
3MP28A-70	3MP28S-70	70	3.500	3.557
3MP28A-75	3MP28S-75	75	3.750	3.807
3MP28A-80	3MP28S-80	80	4.000	4.056

Other numbers of teeth available on request.

Standard Product Sales : ☎ +44 (0)1484 601060 📠 +44 (0)1484 601061

www.rpmechatronics.co.uk

sales@rpmechatronics.co.uk

© Reliance Precision Mechatronics LLP

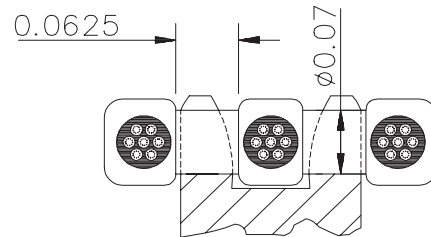
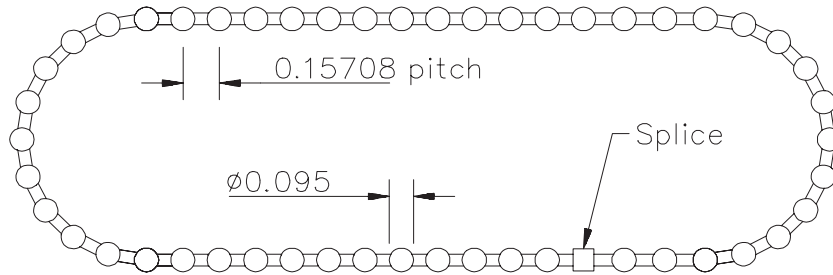
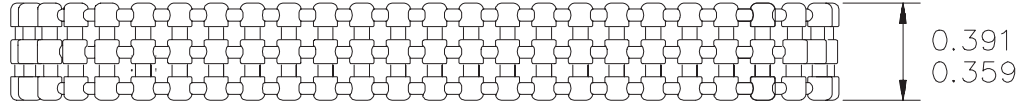


INCH 0.15708" pitch

Cable Chain

All dimensions in inches
 General tolerances +/- 0.010"
 Material: Stainless steel
 reinforced polyurethane

Associated Products
 Sprockets - 6mm bore
 Sprockets - 1/4" bore



- Minimum backlash
- Silent chain
- No lubrication required
- Positive drive
- Not suitable for reverse bending applications
- Weight: 19.5 g/m (0.21 oz/ft)
- Temperature range: -50°C to +80°C
- Max load per pin: 4.4 N (1.0 lbs)
- Max operating tensile strength: 222.4N (50lbs)

Part Number	No. of pitches	Length inches
3DCF-30-E	30	4.712
3DCF-35-E	35	5.498
3DCF-40-E	40	6.283
3DCF-45-E	45	7.069
3DCF-50-E	50	7.854
3DCF-55-E	55	8.639
3DCF-60-E	60	9.425
3DCF-70-E	70	10.996
3DCF-80-E	80	12.566
3DCF-90-E	90	14.137
3DCF-100-E	100	15.708
3DCF-110-E	110	17.279
3DCF-120-E	120	18.850
3DCF-130-E	130	20.420
3DCF-140-E	140	21.991
3DCF-150-E	150	23.562
3DCF-160-E	160	25.133
3DCF-170-E	170	26.704
3DCF-180-E	180	28.274
3DCF-190-E	190	29.845
3DCF-200-E	200	31.416

Part Number	No. of pitches	Length inches
3DCF-210-E	210	32.987
3DCF-220-E	220	34.558
3DCF-230-E	230	36.128
3DCF-240-E	240	37.699
3DCF-250-E	250	39.270
3DCF-260-E	260	40.841
3DCF-270-E	270	42.412
3DCF-280-E	280	43.982
3DCF-290-E	290	45.553
3DCF-300-E	300	47.124
3DCF-310-E	310	48.695
3DCF-320-E	320	50.266
3DCF-330-E	330	51.836
3DCF-340-E	340	53.407
3DCF-350-E	350	54.978
3DCF-360-E	360	56.549
3DCF-370-E	370	58.120
3DCF-380-E	380	59.690
3DCF-400-E	400	62.832
3DCF-420-E	420	65.974
3DCF-440-E	440	69.115

May be purchased in open lengths up to 100 feet.

Example part number: [3DCF-75FT](#)

Standard Product Sales : ☎ +44 (0)1484 601060 📠 +44 (0)1484 601061

Cable Chain

INCH
0.15708" pitch

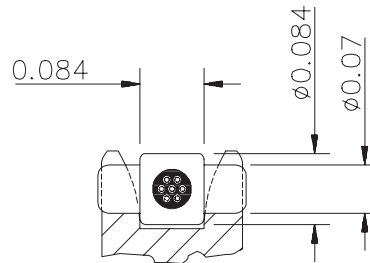


Associated Products
Sprockets - 6mm bore
Sprockets - 1/4" bore

All dimensions in inches
General tolerances +/- 0.010"
Material: Stainless steel
reinforced polyurethane



- Minimum backlash
- Silent chain
- No lubrication required
- Positive drive
- Not suitable for reverse bending applications
- Weight: 11.2 g/m (0.12 oz/ft)
- Temperature range: -50°C to +80°C
- Max load per pin: 1.3 N (0.3lbs)
- Max operating tensile strength: 66.7 N (15lbs)



Part Number	No. of pitches	Length inches
3CBF-30-E	30	4.712
3CBF-35-E	35	5.498
3CBF-40-E	40	6.283
3CBF-45-E	45	7.069
3CBF-50-E	50	7.854
3CBF-55-E	55	8.639
3CBF-60-E	60	9.425
3CBF-70-E	70	10.996
3CBF-80-E	80	12.566
3CBF-90-E	90	14.137
3CBF-100-E	100	15.708
3CBF-110-E	110	17.279
3CBF-120-E	120	18.850
3CBF-130-E	130	20.420
3CBF-140-E	140	21.991
3CBF-150-E	150	23.562
3CBF-160-E	160	25.133
3CBF-170-E	170	26.704
3CBF-180-E	180	28.274
3CBF-190-E	190	29.845
3CBF-200-E	200	31.416

Part Number	No. of pitches	Length inches
3CBF-210-E	210	32.987
3CBF-220-E	220	34.558
3CBF-230-E	230	36.128
3CBF-240-E	240	37.699
3CBF-250-E	250	39.270
3CBF-260-E	260	40.841
3CBF-270-E	270	42.412
3CBF-280-E	280	43.982
3CBF-290-E	290	45.553
3CBF-300-E	300	47.124
3CBF-310-E	310	48.695
3CBF-320-E	320	50.266
3CBF-330-E	330	51.836
3CBF-340-E	340	53.407
3CBF-350-E	350	54.978
3CBF-360-E	360	56.549
3CBF-370-E	370	58.120
3CBF-380-E	380	59.690
3CBF-400-E	400	62.832
3CBF-420-E	420	65.974
3CBF-440-E	440	69.115

May be purchased in open lengths up to 100 feet.

Example part number: **3CBF-75FT**

Standard Product Sales : ☎ +44 (0)1484 601060 📠 +44 (0)1484 601061

www.rpmechatronics.co.uk

sales@rpmechatronics.co.uk

© Reliance Precision Mechatronics LLP



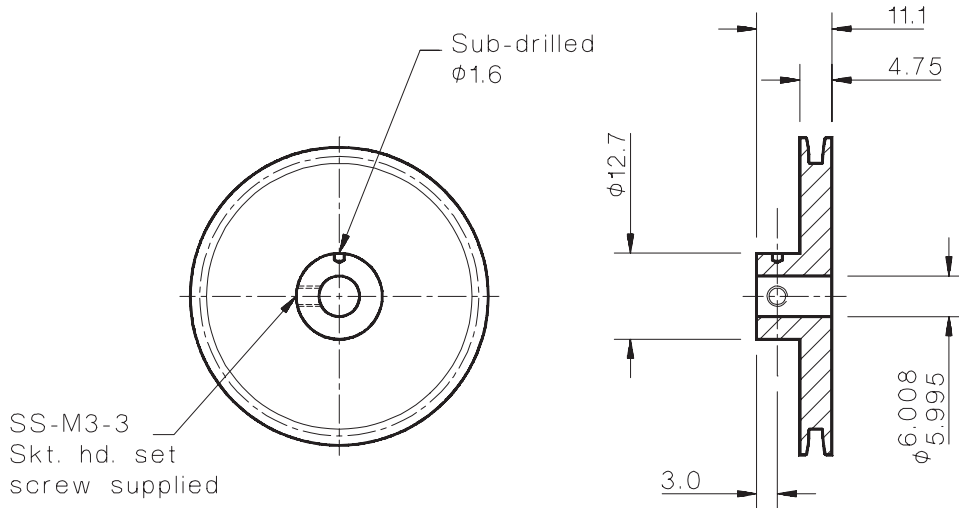
METRIC
0.15708" pitch

Sprockets

All dimensions in mm
General tolerances +/- 0.13mm

Associated Products

- Shafts
- Cable chain - single core
- Cable chain - three core



Sprockets with 19mm pitch circle diameter and smaller recommended for idler use only. Operates with cable chain 3DCF ([page 10](#)) and 3CBF ([page 11](#)) series.

Part Number Selection Table				
Aluminium alloy	Stainless steel	Number of teeth	Pitch circle diameter	Outside diameter
3MDP219A-12	3MDP219S-12	12	15.24 #	16.79
3MDP219A-14	3MDP219S-14	14	17.78 #	19.33
3MDP219A-15	3MDP219S-15	15	19.05 #	20.57
3MDP219A-16	3MDP219S-16	16	20.32	21.87
3MDP219A-18	3MDP219S-18	18	22.86	24.38
3MDP219A-20	3MDP219S-20	20	25.40	26.92
3MDP219A-22	3MDP219S-22	22	27.94	29.46
3MDP219A-25	3MDP219S-25	25	31.75	33.27
3MDP219A-26	3MDP219S-26	26	33.02	34.54
3MDP219A-28	3MDP219S-28	28	35.56	37.08
3MDP219A-30	3MDP219S-30	30	38.10	39.62
3MDP219A-32	3MDP219S-32	32	40.64	42.16
3MDP219A-35	3MDP219S-35	35	44.45	45.95
3MDP219A-36	3MDP219S-36	36	45.72	47.22
3MDP219A-40	3MDP219S-40	40	50.80	52.30
3MDP219A-45	3MDP219S-45	45	57.15	58.65
3MDP219A-50	3MDP219S-50	50	63.50	64.97
3MDP219A-55	3MDP219S-55	55	69.85	71.32
3MDP219A-60	3MDP219S-60	60	76.20	77.67
3MDP219A-65	3MDP219S-65	65	82.55	84.00
3MDP219A-70	3MDP219S-70	70	88.90	90.35
3MDP219A-75	3MDP219S-75	75	95.25	96.70
3MDP219A-80	3MDP219S-80	80	101.60	103.02

Other numbers of teeth available on request.

Standard Product Sales : ☎ +44 (0)1484 601060 📠 +44 (0)1484 601061

www.rpmechatronics.co.uk

sales@rpmechatronics.co.uk

© Reliance Precision Mechatronics LLP

Sprockets

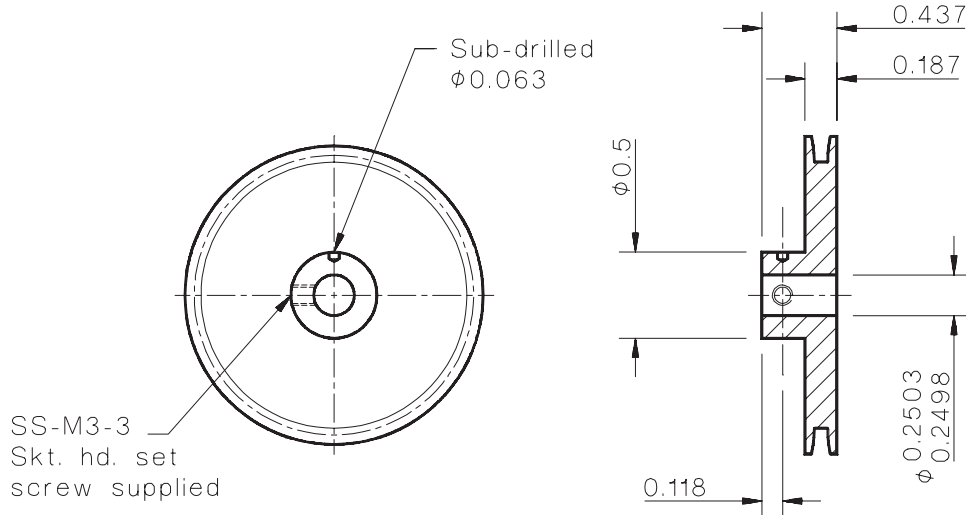
INCH
0.15708" pitch



Associated Products

Shafts
Cable chain - single core
Cable chain - three core

All dimensions in inches
General tolerances +/- 0.005"



Sprockets with 0.750" pitch circle diameter and smaller recommended for idler use only. Operates with cable chain 3DCF ([page 10](#)) and 3CBF ([page 11](#)) series.

Part Number Selection Table				
Aluminium alloy	Stainless steel	Number of teeth	Pitch circle diameter	Outside diameter
3MDP28A-12	3MDP28S-12	12	0.600 #	0.661
3MDP28A-14	3MDP28S-14	14	0.700 #	0.761
3MDP28A-15	3MDP28S-15	15	0.750 #	0.810
3MDP28A-16	3MDP28S-16	16	0.800	0.861
3MDP28A-18	3MDP28S-18	18	0.900	0.960
3MDP28A-20	3MDP28S-20	20	1.000	1.060
3MDP28A-22	3MDP28S-22	22	1.100	1.160
3MDP28A-25	3MDP28S-25	25	1.250	1.310
3MDP28A-26	3MDP28S-26	26	1.300	1.360
3MDP28A-28	3MDP28S-28	28	1.400	1.460
3MDP28A-30	3MDP28S-30	30	1.500	1.560
3MDP28A-32	3MDP28S-32	32	1.600	1.660
3MDP28A-35	3MDP28S-35	35	1.750	1.809
3MDP28A-36	3MDP28S-36	36	1.800	1.859
3MDP28A-40	3MDP28S-40	40	2.000	2.059
3MDP28A-45	3MDP28S-45	45	2.250	2.309
3MDP28A-50	3MDP28S-50	50	2.500	2.558
3MDP28A-55	3MDP28S-55	55	2.750	2.808
3MDP28A-60	3MDP28S-60	60	3.000	3.058
3MDP28A-65	3MDP28S-65	65	3.250	3.307
3MDP28A-70	3MDP28S-70	70	3.500	3.557
3MDP28A-75	3MDP28S-75	75	3.750	3.807
3MDP28A-80	3MDP28S-80	80	4.000	4.056

Other numbers of teeth available on request.

Standard Product Sales : ☎ +44 (0)1484 601060 📠 +44 (0)1484 601061

www.rpmechatronics.co.uk

sales@rpmechatronics.co.uk

© Reliance Precision Mechatronics LLP

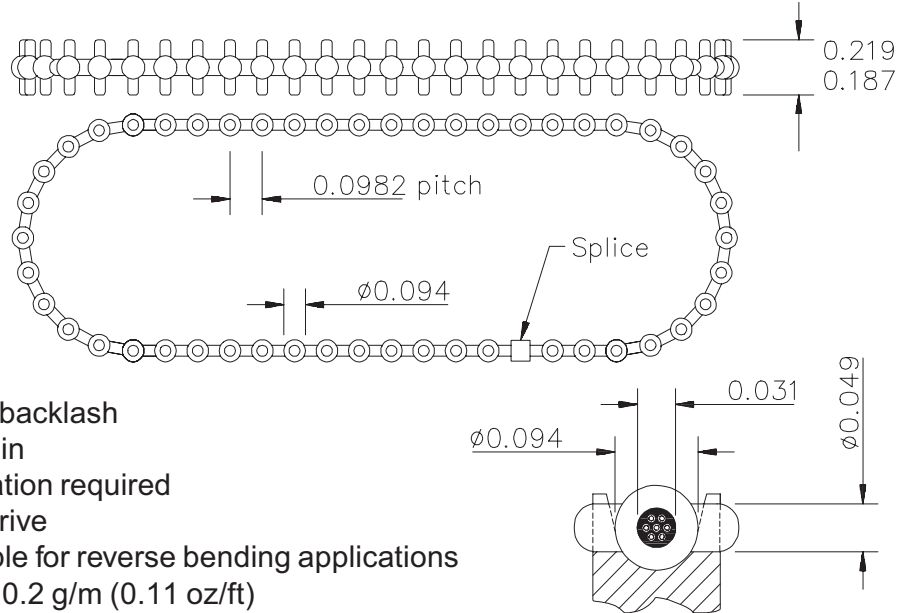


INCH 0.0982" pitch

Drive Belt

All dimensions in inches
 General tolerances +/- 0.010"
 Material: Stainless steel
 reinforced polyurethane

Associated Products
 Sprockets - 6 mm bore
 Sprockets - 1/4" bore



- Minimum backlash
- Silent chain
- No lubrication required
- Positive drive
- Not suitable for reverse bending applications
- Weight: 10.2 g/m (0.11 oz/ft)
- Temperature range: -50°C to + 80°C
- Max load per pin: 1.2 N (0.27lbs)
- Max operating tensile strength: 66.7 N (15lbs)

Part Number	No. of pitches	Length inches
32GBF-49-E	49	4.811
32GBF-52-E	52	5.105
32GBF-53-E	53	5.203
32GBF-64-E	64	6.283
32GBF-67-E	67	6.578
32GBF-75-E	75	7.363
32GBF-80-E	80	7.854
32GBF-95-E	95	9.327
32GBF-112-E	112	10.996
32GBF-126-E	126	12.370
32GBF-128-E	128	12.567
32GBF-144-E	144	14.137
32GBF-158-E	158	15.512
32GBF-176-E	176	17.279
32GBF-189-E	189	18.555
32GBF-208-E	208	20.421
32GBF-220-E	220	21.599
32GBF-240-E	240	23.562
32GBF-252-E	252	24.740
32GBF-272-E	272	26.704
32GBF-283-E	283	27.784

Part Number	No. of pitches	Length inches
32GBF-304-E	304	29.846
32GBF-315-E	315	30.925
32GBF-336-E	336	32.987
32GBF-346-E	346	33.969
32GBF-377-E	377	37.012
32GBF-400-E	400	39.270
32GBF-408-E	408	40.056
32GBF-432-E	432	42.412
32GBF-440-E	440	43.197
32GBF-464-E	464	45.554
32GBF-471-E	471	46.241
32GBF-480-E	480	47.124
32GBF-496-E	496	48.695
32GBF-512-E	512	50.266
32GBF-544-E	544	53.408
32GBF-560-E	560	54.979
32GBF-576-E	576	56.549
32GBF-592-E	592	58.120
32GBF-608-E	608	59.691
32GBF-624-E	624	61.262
32GBF-640-E	640	62.833

May be purchased in open lengths up to 100 feet.

Example part number: **32GBF-75FT**

Standard Product Sales : ☎ +44 (0)1484 601060 📠 +44 (0)1484 601061

www.rpmechatronics.co.uk

sales@rpmechatronics.co.uk

© Reliance Precision Mechatronics LLP

Drive Belt

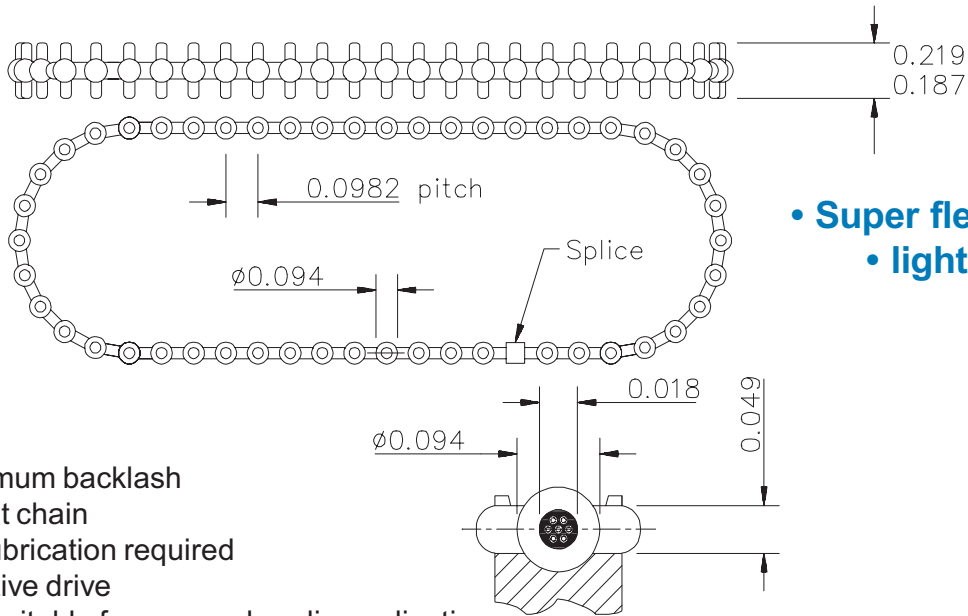
INCH
0.0982" pitch



Associated Products

Sprockets - 6 mm bore
Sprockets - 1/4" bore

All dimensions in inches
General tolerances +/- 0.010"
Material: Stainless steel
reinforced polyurethane



- Super flexible
- light load

- Minimum backlash
- Silent chain
- No lubrication required
- Positive drive
- Not suitable for reverse bending applications
- Weight: 10.29 g/m (0.11 oz/ft)
- Temperature range: -50°C to + 80°C
- Max load per pin: 0.93 N (0.2lbs)
- Max operating tensile strength: 26.7 N (6lbs)

Part Number	No. of pitches	Length inches
33GBF-49-E	49	4.811
33GBF-52-E	52	5.105
33GBF-53-E	53	5.203
33GBF-64-E	64	6.283
33GBF-67-E	67	6.578
33GBF-75-E	75	7.363
33GBF-80-E	80	7.854
33GBF-95-E	95	9.327
33GBF-112-E	112	10.996
33GBF-126-E	126	12.370
33GBF-128-E	128	12.567
33GBF-144-E	144	14.137
33GBF-158-E	158	15.512
33GBF-176-E	176	17.279
33GBF-189-E	189	18.555
33GBF-208-E	208	20.421
33GBF-220-E	220	21.599
33GBF-240-E	240	23.562

Part Number	No. of pitches	Length inches
33GBF-252-E	252	24.740
33GBF-272-E	272	26.704
33GBF-283-E	283	27.784
33GBF-304-E	304	29.846
33GBF-315-E	315	30.925
33GBF-377-E	377	37.012
33GBF-400-E	400	39.270
33GBF-408-E	408	40.056
33GBF-432-E	432	42.412
33GBF-440-E	440	43.197
33GBF-464-E	464	45.554
33GBF-471-E	471	46.241
33GBF-480-E	480	47.124
33GBF-496-E	496	48.695
33GBF-512-E	512	50.266
33GBF-544-E	544	53.408
33GBF-560-E	560	54.979
33GBF-640-E	640	62.833

May be purchased in open lengths up to 100 feet.

Example part number: [33GBF-75FT](#)

Standard Product Sales : ☎ +44 (0)1484 601060 📠 +44 (0)1484 601061

www.rpmechatronics.co.uk

sales@rpmechatronics.co.uk

© Reliance Precision Mechatronics LLP



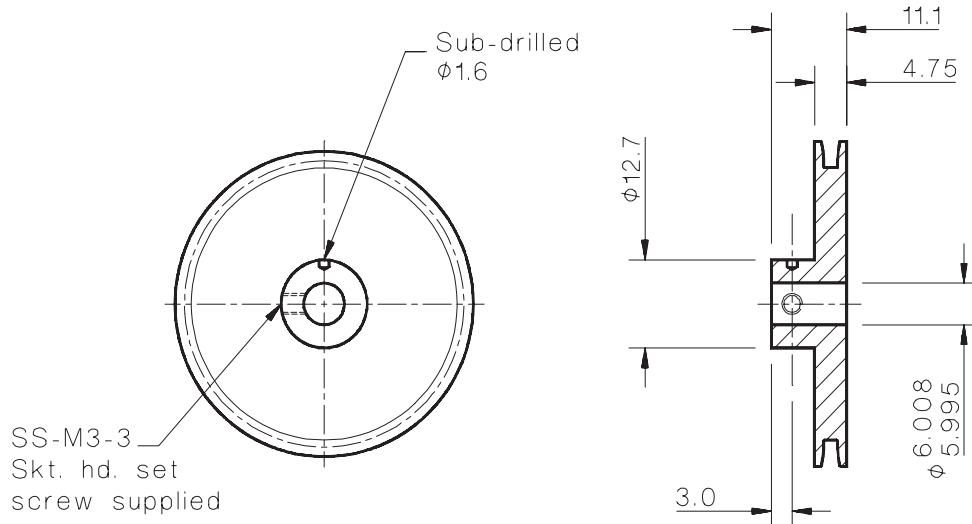
METRIC 0.0982" pitch

All dimensions in mm
General tolerances +/- 0.13mm

Sprockets

Associated Products

- Shafts
- Belts - standard
- Belts - super flexible



Sprockets with 19mm pitch circle diameter and smaller recommended for idler use only when used with 32GBF series belts. Operates with cable chain 32GBF ([page 14](#)) and 33GBF ([page 15](#)) series .

Part Number Selection Table				
Aluminium alloy	Stainless steel	Number of teeth	Pitch circle diameter	Outside diameter
	32DP219S-16	16	12.70 #	14.27
32DP219A-18	32DP219S-18	18	14.29 #	15.88
32DP219A-20	32DP219S-20	20	15.87 #	17.45
32DP219A-22	32DP219S-22	22	17.46 #	19.05
32DP219A-24	32DP219S-24	24	19.05 #	20.62
32DP219A-26	32DP219S-26	26	20.64	22.23
32DP219A-28	32DP219S-28	28	22.22	23.80
32DP219A-30	32DP219S-30	30	23.81	25.40
32DP219A-32	32DP219S-32	32	25.40	26.97
32DP219A-36	32DP219S-36	36	28.57	30.15
32DP219A-40	32DP219S-40	40	31.75	33.32
32DP219A-48	32DP219S-48	48	38.10	39.67
32DP219A-56	32DP219S-56	56	44.45	46.02
32DP219A-64	32DP219S-64	64	50.80	52.37
32DP219A-72	32DP219S-72	72	57.15	58.73
32DP219A-80	32DP219S-80	80	63.50	65.07
32DP219A-88	32DP219S-88	88	69.85	71.42
32DP219A-96	32DP219S-96	96	76.20	77.77
32DP219A-112	32DP219S-112	112	88.90	90.47
32DP219A-128	32DP219S-128	128	101.60	103.17

Other numbers of teeth available on request.

Standard Product Sales : ☎ +44 (0)1484 601060 📠 +44 (0)1484 601061

Sprockets

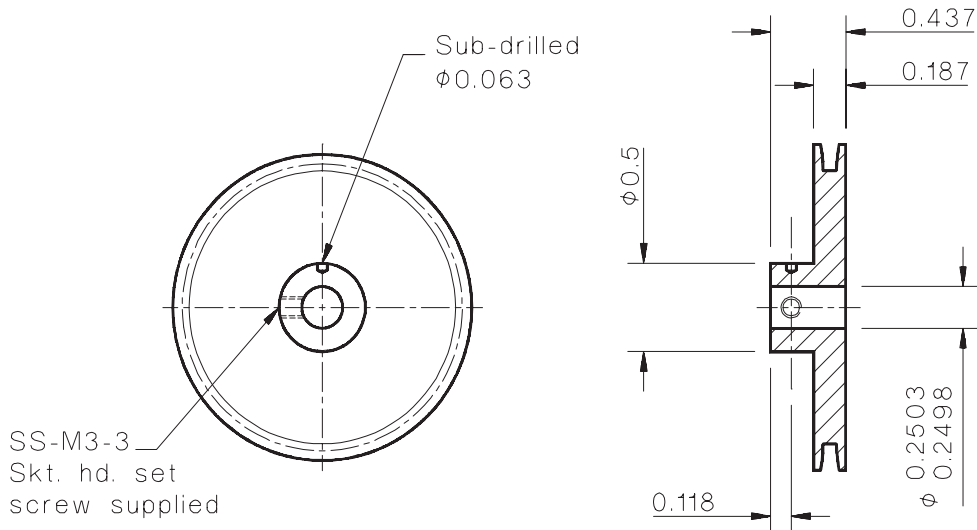
INCH
0.0982" pitch



Associated Products

- Shafts
- Belts - standard
- Belts - super flexible

All dimensions in inches
General tolerances +/- 0.005"



Sprockets with 0.750" pitch circle diameter and smaller recommended for idler use only when used with 32GBF series belts. Operates with cable chain 32GBF ([page 14](#)) and 33GBF ([page 15](#)) series.

Part Number Selection Table				
Aluminium alloy	Stainless steel	Number of teeth	Pitch circle diameter	Outside diameter
32DP28A-16	32DP28S-16	16	0.500 #	0.562
32DP28A-18	32DP28S-18	18	0.562 #	0.625
32DP28A-20	32DP28S-20	20	0.625 #	0.687
32DP28A-22	32DP28S-22	22	0.687 #	0.750
32DP28A-24	32DP28S-24	24	0.750 #	0.812
32DP28A-26	32DP28S-26	26	0.812	0.875
32DP28A-28	32DP28S-28	28	0.875	0.937
32DP28A-30	32DP28S-30	30	0.937	1.000
32DP28A-32	32DP28S-32	32	1.000	1.062
32DP28A-36	32DP28S-36	36	1.125	1.187
32DP28A-40	32DP28S-40	40	1.250	1.312
32DP28A-48	32DP28S-48	48	1.500	1.562
32DP28A-56	32DP28S-56	56	1.750	1.812
32DP28A-64	32DP28S-64	64	2.000	2.062
32DP28A-72	32DP28S-72	72	2.250	2.312
32DP28A-80	32DP28S-80	80	2.500	2.562
32DP28A-88	32DP28S-88	88	2.750	2.812
32DP28A-96	32DP28S-96	96	3.000	3.062
32DP28A-112	32DP28S-112	112	3.500	3.562
32DP28A-128	32DP28S-128	128	4.000	4.062

Other numbers of teeth available on request.

Standard Product Sales : ☎ +44 (0)1484 601060 📠 +44 (0)1484 601061

www.rpmechatronics.co.uk

sales@rpmechatronics.co.uk

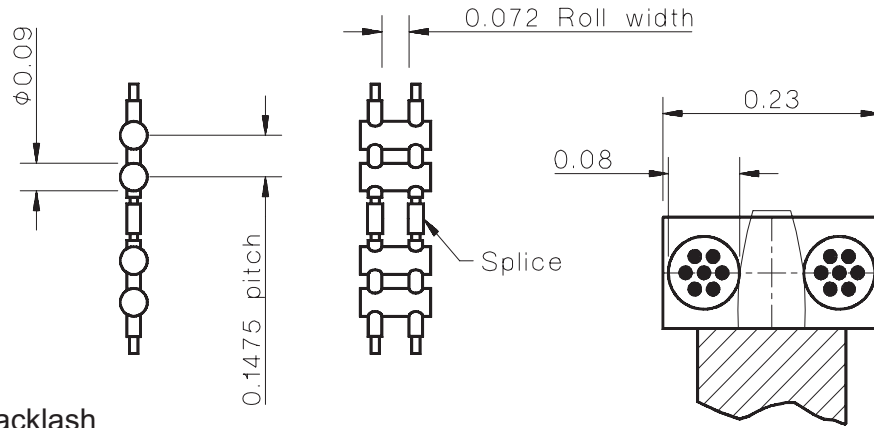
© Reliance Precision Mechatronics LLP



INCH 0.1475" pitch

Cable Chain

All dimensions in inches
 General tolerances +/- 0.010"
 Material: Stainless steel
 reinforced polyurethane



- Minimum backlash
- Silent chain
- No lubrication required
- Not suitable for reverse bending applications
- Weight: 13.9 N (0.15 oz/ft)
- Temperature range: -50°C to + 80°C
- Max load per pin: 1.8 N (0.4lbs)
- Max operating tensile strength: 133 N (30lbs)

Part Number	No. of pitches	Length inches
14CCF-40-E	40	5.900
14CCF-50-E	50	7.375
14CCF-60-E	60	8.850
14CCF-70-E	70	10.325
14CCF-80-E	80	11.800
14CCF-90-E	90	13.275
14CCF-100-E	100	14.750
14CCF-110-E	110	16.225
14CCF-120-E	120	17.700
14CCF-130-E	130	19.175
14CCF-140-E	140	20.650
14CCF-150-E	150	22.125
14CCF-160-E	160	23.600
14CCF-170-E	170	25.075
14CCF-180-E	180	26.550
14CCF-190-E	190	28.025
14CCF-200-E	200	29.500
14CCF-210-E	210	30.975

Part Number	No. of pitches	Length inches
14CCF-220-E	220	32.450
14CCF-230-E	230	33.925
14CCF-240-E	240	35.400
14CCF-250-E	250	36.875
14CCF-260-E	260	38.350
14CCF-270-E	270	39.825
14CCF-280-E	280	41.300
14CCF-290-E	290	42.775
14CCF-300-E	300	44.250
14CCF-310-E	310	45.725
14CCF-320-E	320	47.200
14CCF-330-E	330	48.675
14CCF-340-E	340	50.150
14CCF-350-E	350	51.625
14CCF-360-E	360	53.100
14CCF-370-E	370	54.575
14CCF-380-E	380	56.050
14CCF-390-E	390	57.525

May be purchased in open lengths of up to 100 feet.

Example part number: **14CCF-50FT**

Standard Product Sales : ☎ +44 (0)1484 601060 📠 +44 (0)1484 601061

www.rpmechatronics.co.uk

sales@rpmechatronics.co.uk

© Reliance Precision Mechatronics LLP

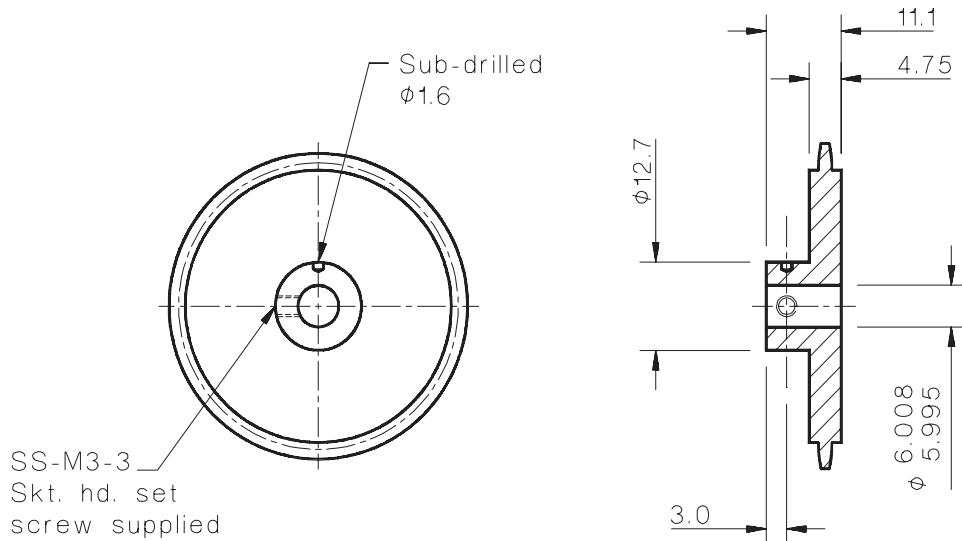
Sprockets

METRIC
0.1475" pitch



Associated Products
Shafts

All dimensions in mm
General tolerances +/- 0.13mm



Operates with cable chain 14CCF series (page : 18).

Part Number Selection Table				
Aluminium alloy	Stainless steel	Number of teeth	Pitch circle diameter	Outside diameter
14LC219A-16	14LC219S-16	16	19.08	21.11
14LC219A-17	14LC219S-17	17	20.27	22.30
14LC219A-18	14LC219S-18	18	21.47	23.50
14LC219A-19	14LC219S-19	19	22.66	24.69
14LC219A-20	14LC219S-20	20	23.85	25.88
14LC219A-22	14LC219S-22	22	26.24	28.24
14LC219A-24	14LC219S-24	24	28.62	30.63
14LC219A-26	14LC219S-26	26	31.01	33.02
14LC219A-28	14LC219S-28	28	33.39	35.41
14LC219A-30	14LC219S-30	30	35.78	37.80
14LC219A-32	14LC219S-32	32	38.16	40.18
14LC219A-34	14LC219S-34	34	40.55	42.57
14LC219A-36	14LC219S-36	36	42.93	44.96
14LC219A-38	14LC219S-38	38	45.32	47.35
14LC219A-40	14LC219S-40	40	47.70	49.73
14LC219A-42	14LC219S-42	42	50.09	52.10
14LC219A-44	14LC219S-44	44	52.47	54.48

Other numbers of teeth available on request.

Standard Product Sales : ☎ +44 (0)1484 601060 📠 +44 (0)1484 601061

www.rpmechatronics.co.uk

sales@rpmechatronics.co.uk

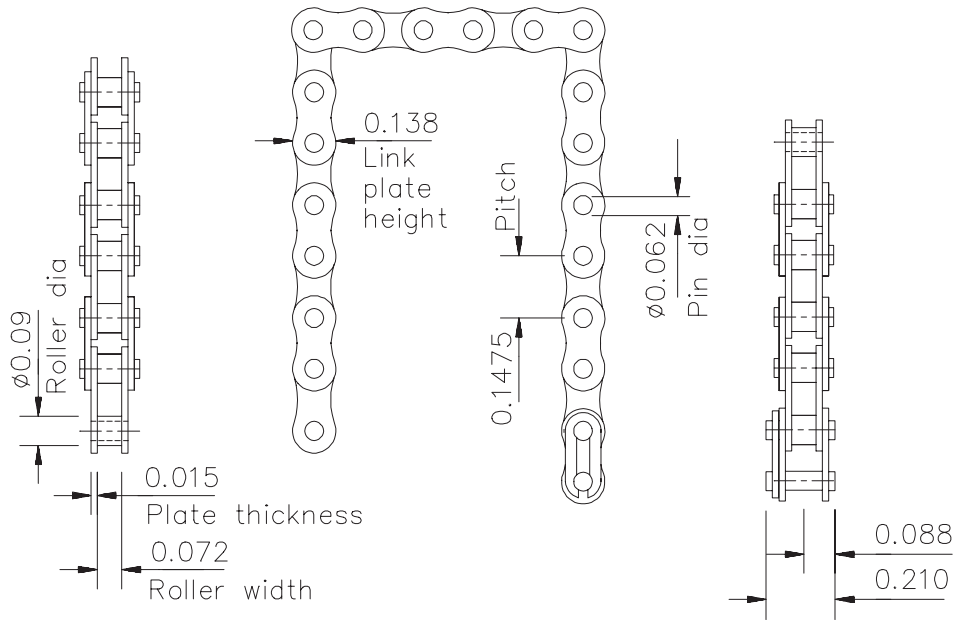
© Reliance Precision Mechatronics LLP



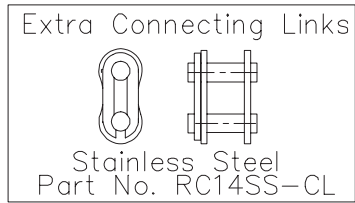
INCH 0.1475" pitch

Link Chain

All dimensions in inches
General tolerances +/- 0.005"
Material: Stainless steel



- Rollerless - must be lubricated
- Connector link supplied with each chain
- Special lengths available on request
- Weight: 52.1 N (0.56 oz/ft)
- Temperature range: -18°C to + 316°C
- Max recommended operating load: 89 N (20lbs)



Part Number	No. of links	Length inches
RC14SS-40-E	40	5.900
RC14SS-50-E	50	7.375
RC14SS-60-E	60	8.850
RC14SS-70-E	70	10.325
RC14SS-80-E	80	11.800
RC14SS-90-E	90	13.275
RC14SS-100-E	100	14.750
RC14SS-110-E	110	16.225
RC14SS-120-E	120	17.700
RC14SS-130-E	130	19.175
RC14SS-140-E	140	20.650
RC14SS-150-E	150	22.125
RC14SS-160-E	160	23.600
RC14SS-170-E	170	25.075
RC14SS-180-E	180	26.550
RC14SS-190-E	190	28.025
RC14SS-200-E	200	29.500
RC14SS-210-E	210	30.975

Part Number	No. of links	Length inches
RC14SS-220-E	220	32.450
RC14SS-230-E	230	33.925
RC14SS-240-E	240	35.400
RC14SS-250-E	250	36.875
RC14SS-260-E	260	38.350
RC14SS-270-E	270	39.825
RC14SS-280-E	280	41.300
RC14SS-290-E	290	42.775
RC14SS-300-E	300	44.250
RC14SS-310-E	310	45.725
RC14SS-320-E	320	47.200
RC14SS-330-E	330	48.675
RC14SS-340-E	340	50.150
RC14SS-350-E	350	51.625
RC14SS-360-E	360	53.100
RC14SS-370-E	370	54.575
RC14SS-380-E	380	56.050
RC14SS-390-E	390	57.525

Standard Product Sales : ☎ +44 (0)1484 601060 📠 +44 (0)1484 601061

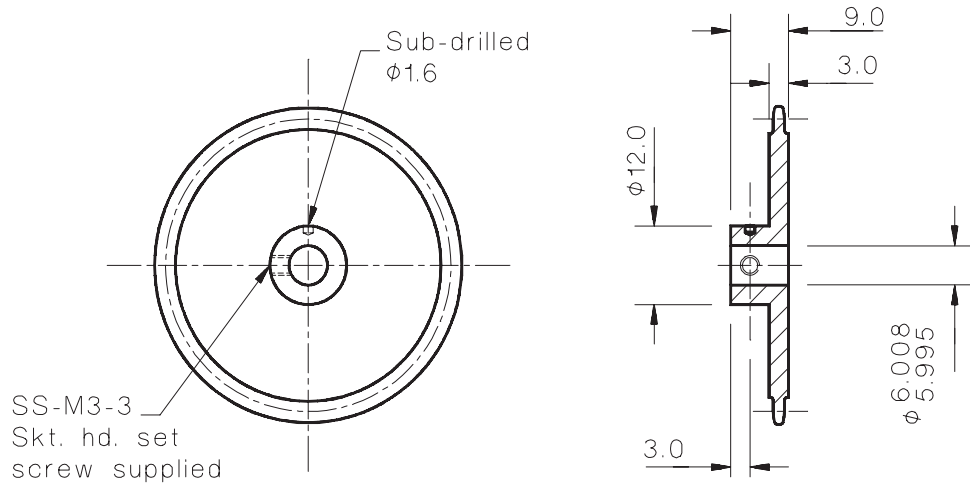
Sprockets

METRIC
0.1475" pitch



Associated Products
Shafts

All dimensions in mm
General tolerances +/- 0.13mm



Operates with 0.1475" pitch link chain (page 20).

Part Number Selection Table				
Aluminium alloy	Stainless steel	Number of teeth	Pitch circle diameter	Outside diameter
14EM205A-13	14EM205S-13	13	15.65	16.97
14EM205A-14	14EM205S-14	14	16.84	18.14
14EM205A-15	14EM205S-15	15	18.02	19.33
14EM205A-16	14EM205S-16	16	19.20	20.52
14EM205A-18	14EM205S-18	18	21.57	22.89
14EM205A-20	14EM205S-20	20	23.95	25.25
14EM205A-21	14EM205S-21	21	25.14	26.44
14EM205A-22	14EM205S-22	22	26.32	27.64
14EM205A-24	14EM205S-24	24	28.70	30.02
14EM205A-25	14EM205S-25	25	29.89	31.19
14EM205A-26	14EM205S-26	26	31.08	32.39
14EM205A-28	14EM205S-28	28	33.46	34.77
14EM205A-30	14EM205S-30	30	35.84	37.16
14EM205A-32	14EM205S-32	32	38.22	39.52
14EM205A-33	14EM205S-33	33	39.41	40.72
14EM205A-34	14EM205S-34	34	40.60	41.91
14EM205A-35	14EM205S-35	35	41.80	43.10
14EM205A-40	14EM205S-40	40	47.75	49.07
14EM205A-42	14EM205S-42	42	50.13	51.44

Other numbers of teeth available on request.

Standard Product Sales : ☎ +44 (0)1484 601060 📠 +44 (0)1484 601061

www.rpmechatronics.co.uk

sales@rpmechatronics.co.uk

© Reliance Precision Mechatronics LLP



INTRODUCTION

Three types of transmission system are offered in this catalogue,

- Timing belt - an endless toothed belt system available in 2.5mm and 5mm pitch; intended for applications requiring a level of power transmission.
- Cable chain - a jointed belt system available in 0.0982" (2.5mm), 0.1475" (3.75mm) and 0.15708"(4mm) pitch; intended for low power instrument drives, but not suitable for reverse bending applications.
- Link chain - a stainless steel roller chain available in 0.1475" (3.75mm) pitch; intended for use in harsh environments that preclude the use of belts.

ENGINEERING DATA

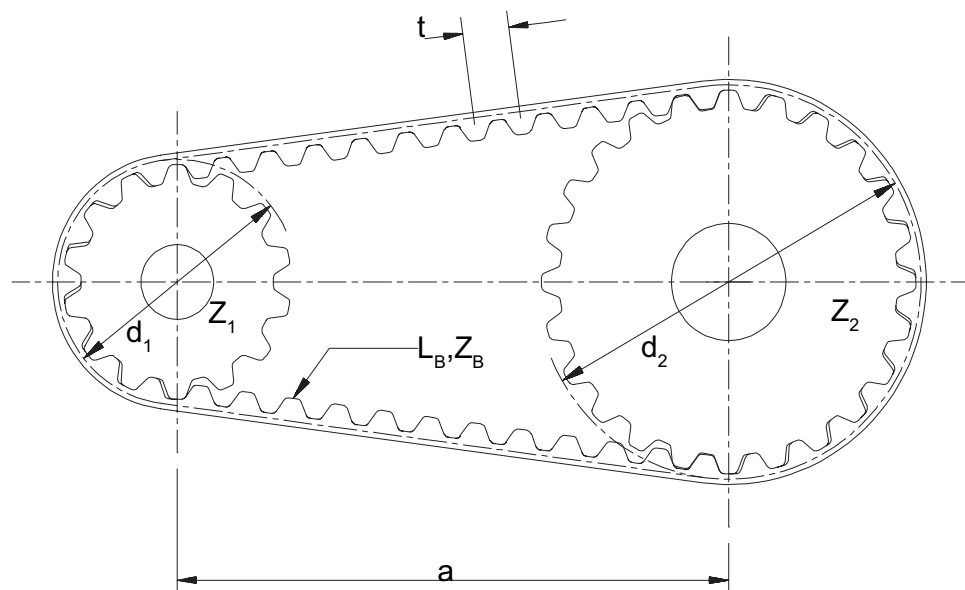
1. Belt and Chain Length

Knowing the centre distance the belt or chain length can be calculated from the following:

For ratios = 1:1
$$L_B = Z_1 \cdot t + 2a \quad [\text{mm}]$$

For ratios \neq 1:1
(approximate formula)
$$L_B \approx \frac{t}{2}(Z_2 + Z_1) + 2a + \frac{1}{4a} \left[\frac{(Z_2 - Z_1)t}{\pi} \right]^2 \quad [\text{mm}]$$

- | | | | | | |
|-------|---|-----------------------------|-------|---|------------------------------------|
| a | = | Centre distance | t | = | Belt pitch |
| L_B | = | Belt length | d_2 | = | Pitch circle diameter large pulley |
| d_1 | = | Pitch diameter small pulley | Z_2 | = | No of teeth, large pulley |
| Z_1 | = | No of teeth, small pulley | Z_e | = | No of teeth in mesh |
| Z_B | = | No of teeth in belt | | | |





2. Centre Distance Calculation

Knowing the belt or chain length the centre distance can be calculated from the following;

For ratios = 1:1
$$a = \frac{(Z_B - Z_1)t}{2} \quad [\text{mm}]$$

For ratios \neq 1:1
(approximate formula)

$$a \approx \frac{L_B - \frac{\pi}{2}(d_2 + d_1)}{4} + \sqrt{\left(\frac{L_B - \frac{\pi}{2}(d_2 + d_1)}{4}\right)^2 - \frac{(d_2 - d_1)^2}{8}} \quad [\text{mm}]$$

$$d_1 = \frac{Z_1 * t}{\pi} \quad [\text{mm}] \quad d_2 = \frac{Z_2 * t}{\pi} \quad [\text{mm}]$$

3. Design Guidelines

(i) Timing belts

Timing belt efficiency ranges from 95 to 98%, better than flat or vee belts which rely on friction to transmit power.

The 2.5mm and 5mm pitch timing belts are manufactured in wear resistant polyurethane with high grade steel wire tension members, therefore any elongation due to load and pre-tension will follow Hooke's law. The manufacturing process for these timing belts produces the "classical" trapezoidal tooth form to close tolerances. This ensures an even distribution of load during use and the transmission of high torques. These belts are suitable for indexing, positioning and conveying drives.

It is possible to design drives with fixed centres but generally the drive centres should be adjustable or have idler pulleys. This is particularly important in multi-shaft or high power drives. The idler pulleys should be fitted to the slack side of the drive and must not be spring loaded.

Timing belt drives do not require as much tension as other belt drives which depend on friction to transmit the load. The belt should be installed with a snug fit, neither taut nor loose. As a general guide the correct level of tension can be determined by measuring the force necessary to deflect the belt an amount equal to 1/64th of the span centres "a".

Values for the measuring force recorded on a spring balance applied mid-span should be within 20% of the values shown below.

2.5mm - 0.07kg

5mm - 0.30kg

The belts must be rigidly mounted. Variations in centre distance can lead to premature wear. The belt and pulley system must be assembled loose to prevent over stretching. The belts are guided on the pulleys by flanges. One pulley should be flanged on both sides, or two alternate flanges provided, one on each pulley. For drives with vertical shafts both pulleys should be flanged on both sides.



For a belt to transmit full power, a minimum of 6 teeth must be in mesh on each pulley.

The number of teeth in mesh can be determined from the following formula:

$$Z_e = \frac{Z_1}{180} * \arccos \frac{(Z_2 - Z_1) * t}{2 \pi a}$$

Number of teeth in mesh calculation is always based on the smallest pulley.

To minimise belt fatigue, pulleys with a minimum of 20 teeth are recommended. As a general guide larger pulleys reduce the amount of belt flexing and therefore improve belt life.

(ii) Cable Chain

Design adjustable centres to take up belt slack. Belts should be a snug fit over the sprockets, not loose or so tight that the belt needs excessive force to drive. An adjustable idler can be used to remove belt slack. Use a small sprocket on the same side of the belt as the drive sprocket. Do not use a flat roller.

Always use as large a sprocket as possible to eliminate potential cable fatigue as the crimp splice travels around small sprockets. The more pins in contact with the sprocket the stronger and smoother the drive.

Do not force a chain over installed sprockets or fixed sprockets as the chains are not elastic. Remove the sprockets, assemble the chain to the sprockets, then slide the sprockets on to the shafts. The life of precision moulded cable chain can be increased by spraying with a light mist of silicone oil.

(iii) Link Chain

The link chain is manufactured in 300 series stainless steel. Although the material is essentially nonmagnetic, the manufacturing process of the chain induces a small amount of magnetism.

Lubrication of the chain is required, the quantity depends on load, velocity and sprocket size. As these factors increase so should the level of lubrication.

Proper chain tension may be obtained by adjusting the sprocket centres or by use of an adjustable idler. As a general guide the total mid span movement (double amplitude) in the slack span should be 4-6% of the span length. For high speed, impulsive or reversing loads the total movement should be reduced to 2-3%. The chain tension device should allow enough adjustment to permit removal of two pitches of chain.

Drive ratios should not exceed 9:1 and the recommended maximum is 7:1. The chain should be a full number of pitches. The same formulae as for belts apply. In addition centre distance should not exceed 80 pitches.

Chain drives suffer from polygonal speed variations, as the rigid chain forms a polygon when wrapped around a sprocket. As the roller chain link approaches, it is not a tangent to the sprocket pitch circle, links may make contact below the tangency line then rise to the top of the sprocket. This movement (through a distance called chordal rise) accounts for repeated drive speed fluctuation.

Although negligible, in some cases such as when the drive machinery is vibration sensitive, or high inertial loads exist and/or sprockets of less than 20 teeth are used, it should be considered.

Standard Product Sales : ☎ +44 (0)1484 601060 📠 +44 (0)1484 601061

www.rpmechatronics.co.uk

sales@rpmechatronics.co.uk



International Sales Representatives

Austria, Benelux, Denmark, Germany, Switzerland

Reliance Holland

Klaroenring 217
4876 ZE Etten - Leur
Noord - Brabant, Netherlands
Tel: +31 (0) 76 5040790
Fax: +31 (0) 76 5040791
e-mail: jb@reliance.co.uk

France

Reliance France

33 Rue Racine
11000 Carcassonne
France
Tel: +33 (0)468 470589
Fax: +33 (0)468 471772
e-mail: ph@reliance.co.uk

Australia

Reliance Australia

21 Jubilee Street
Stones Corner
Brisbane 4120
Queensland
Australia
Tel: +61 (0)7 3847 8694
Fax: +61 (0)7 3847 8670
e-mail: gm@reliance.co.uk

For our full range of standard and customised components together with a complete overview of Reliance's manufacturing capabilities, visit the Reliance Precision Mechatronics website at:

www.rpmechatronics.co.uk

About Us

Reliance Precision Mechatronics LLP, a sister company to Reliance Precision Limited, was established in 2005 as the distribution arm of the business. In addition to distributing Reliance's existing standard product range, the company designs and develops market focused, fully integrated mechatronic assemblies.

Standard Products

For over forty years, Reliance has provided a standard range of precision mechanical components from stock or on short delivery. This service allows design engineers to order in small quantities at stock prices in order to develop prototypes effectively. Dedicated manufacturing facilities enable larger quantities to be supplied for full production requirements.

Reliance Precision Limited (formerly Reliance Gear Company Limited)

Founded in Huddersfield in 1920, Reliance has been under current ownership since 1955. The company specialises in gears, gearboxes, assemblies and associated components used in instrumentation, measurement, diagnostic equipment and light actuation systems. Reliance aims to provide its customers with a single source for the design, production, assembly and testing of high quality mechanical components and electro-mechanical assemblies. Reliance also has over 350 square metres of clean room space for the assembly, wiring and testing of precision gearboxes, optical equipment and scientific instruments to customers' specifications. Particle counts in the clean rooms meet ISO 14644-1 Class ISO 7, but are readily adaptable to more stringent standards if required.

ISO 9001

Reliance Precision Limited and Reliance Precision Mechatronics LLP are both quality assured to BS EN ISO 9001:2000.



Reliance

Precision Mechatronics LLP

Precision Motion Control Components & Mechatronic Assemblies

Rowley Mills, Penistone Road, Lepton
Huddersfield, HD8 0LE, England.

Tel: +44 (0) 1484 601002

Fax: +44 (0) 1484 601061

www.rpmechatronics.co.uk

e-mail: sales@rpmechatronics.co.uk