



Pick-off Gears

Metric - Large Pitches

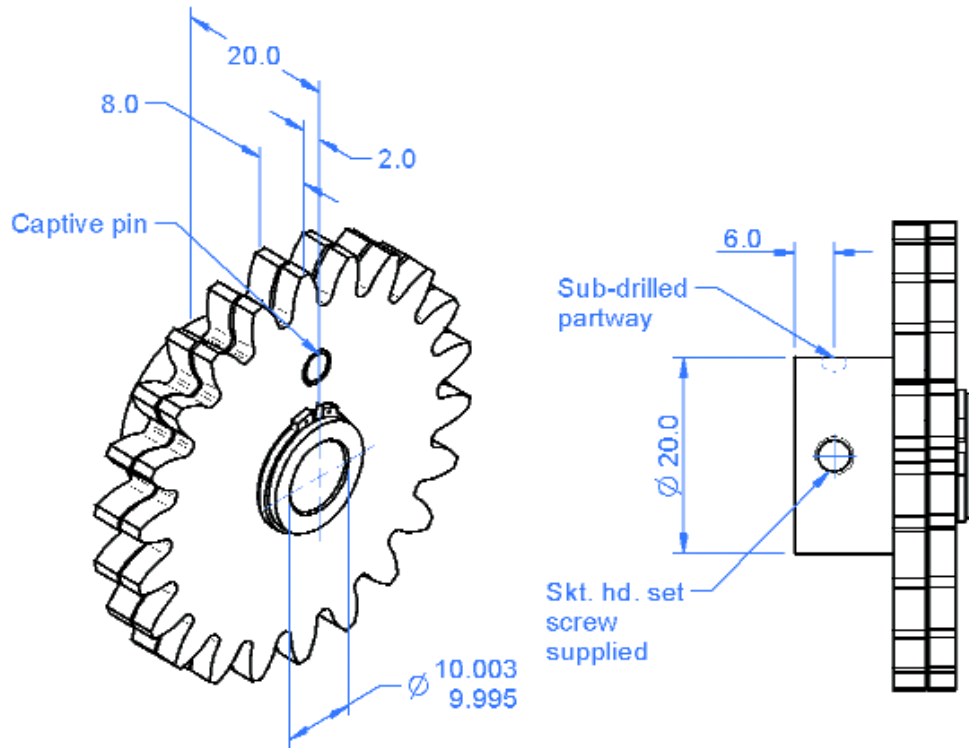
General Information

All dimensions in mm
 General tolerances:
 $\pm 0.13\text{mm}$
 Material:
 Stainless steel or
 Aluminium alloy
 Pressure angle 20°

Associated Products

Shafts
 Bearings
 Spur gears
 Pins

Visit our online catalogue for associated products at:
www.reliance.co.uk



Typical component

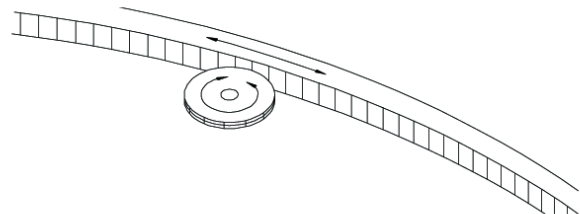
Process Capabilities:

Stainless steel or aluminium alloy.

Module range: 2 to 8 mod.

Pitch diameters from 60 to 120 mm.

Standard gear quality AQ9.



Features:

Anti-backlash mechanism.

Compact, cost effective angular measurement.

Ideal for large diameter gear driven turntables.

Standard Product Sales : +44 (0)1484 601060
www.reliance.co.uk

+44 (0)1484 601061
sales@reliance.co.uk