



Hardened Pin Hub Spur Gear

5 - 8mm Bore

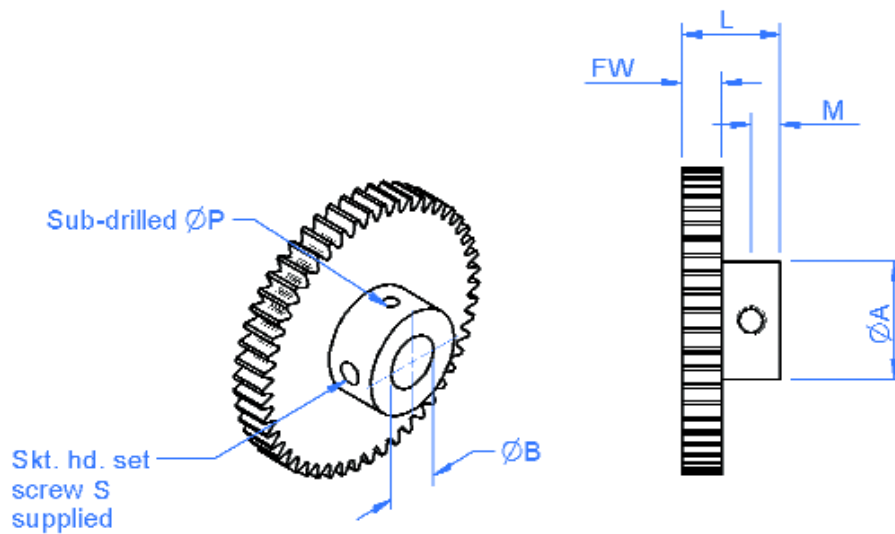
General Information

All dimensions in mm
 General tolerances:
 ±0.13mm
 Material:
 Stainless steel,
 17-4PH
 Hardened to:
 36-40 HRC
 Pressure angle 20°

Associated Products

Spur gears
 Shafts
 Bearings
 Pins

Visit our online catalogue for associated products at:
www.reliance.co.uk



Drawing dimension table

Bore Size Nom	Bore Dia ØB	Overall Length L	Gear Face Width FW	Boss Dia ØA	Hole Position M	Set Screw S	Sub-Drill ØP
5	5.003	8	2	10.00	3.20 2.80	M2.5	1.2
	4.995	10	4				
6	6.003 5.995	9	3	12.00		M3	1.6
		10	4				
		12	6				
8	8.003 7.995	10	4	16.00		M4	2.0
		12	6				

- Standard gear quality AQ10 - see page 56.
- Material and treatment specifications - see page 59.

Non-standard options, please enquire....

- Higher gear qualities - see page 56.
- Alternative modules.
- Imperial diametral pitches.
- Imperial bore sizes 3/16", 1/4" & 5/16".
- # 17.75° helix angle available to order, (max number of teeth reduced by 5%).

Standard Product Sales : ☎ +44 (0)1484 601060
www.reliance.co.uk

✉ +44 (0)1484 601061
sales@reliance.co.uk



Part number selection table

Example Part No:- **P06S9B6 F4A- 50**

Bore Size Nom	Standard Modules	Basic Part Number Standard Material Hardened Stainless Steel #	Face Width	Number of Teeth		
			Dim FW	Min	Max	
					F2A	F4A
5	0.6	P06S9B5	F2A- (2mm) or F4A- (4mm)	21	56	127
	0.5	P05S9B5		24	67	152
	0.4	P04S9B5		29	85	190
	0.3	P03S9B5		37	114	254
	0.25	P025S9B5		43	137	304
	0.2	P02S9B5		53	172	381
6	0.6	P06S9B6	F3A- (3mm) or F4A- (4mm) or F6A- (6mm)	23	127	
	0.5	P05S9B6		27	152	
	0.4	P04S9B6		33	190	
	0.3	P03S9B6		43	254	
	0.25	P025S9B6		50	304	
	0.2	P02S9B6		62	381	
8	0.6	P06S9B8	F4A- (4mm) or F6A- (6mm)	30	127	
	0.5	P05S9B8		35	152	
	0.4	P04S9B8		43	190	
	0.3	P03S9B8		56	254	
	0.25	P025S9B8		66	304	
	0.2	P02S9B8		82	381	

General Information

All dimensions in mm
 General tolerances:
 ±0.13mm
 Material:
 Stainless steel,
 17-4PH
 Hardened to:
 36-40 HRc
 Pressure angle 20°

Associated Products

Spur gears
 Shafts
 Bearings
 Pins
 Visit our online catalogue for associated products at:
www.reliance.co.uk

