



Pinion Shafts

Single End

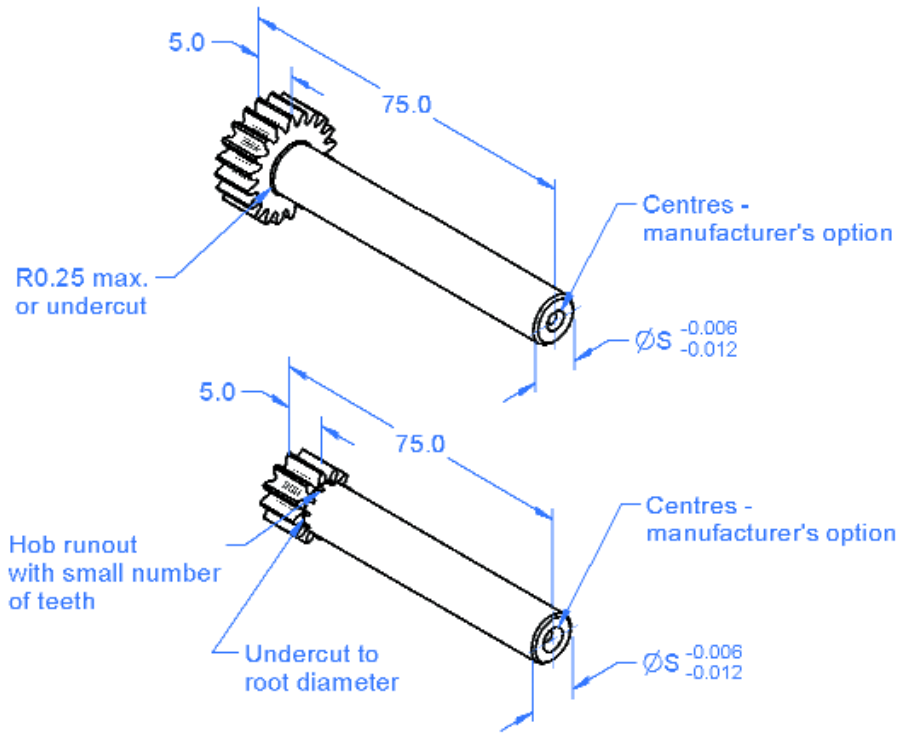
General Information

All dimensions in mm
 General tolerances:
 $\pm 0.13\text{mm}$
 Material:
 Stainless steel 303
 Pressure angle 20°

Associated Products

Spur gears
 Bearings
 Reli-a-Flex™ couplings

Visit our online catalogue for associated products at:
www.reliance.co.uk



Part number selection table

| Shaft Diameter, $\text{ØS} = 4.0$ | | | | Shaft Diameter, $\text{ØS} = 6.0$ | | | |
|--------------------------------------|--------|-----------------|-----------|--------------------------------------|--------|-----------------|-----------|
| Example Part No:- 5PS4T06- 12 | | | | Example Part No:- 5PS6T06- 20 | | | |
| Basic Part Number | Module | Number of Teeth | | Basic Part Number | Module | Number of Teeth | |
| | | Min | Max | | | Min | Max |
| 5PS4T06 | 0.6 | 12† | 18 | 5PS6T06 | 0.6 | 12† | 31 |
| 5PS4T05 | 0.5 | 12† | 22 | 5PS6T05 | 0.5 | 12† | 38 |
| 5PS4T04 | 0.4 | 14† | 28 | 5PS6T04 | 0.4 | 14† | 48 |
| 5PS4T03 | 0.3 | 16† | 38 | 5PS6T03 | 0.3 | 16† | 64 |
| 5PS4T025 | 0.25 | 16† | 46 | 5PS6T025 | 0.25 | 20 | 78 |
| 5PS4T02 | 0.2 | 16† | 58 | 5PS6T02 | 0.2 | 22 | 98 |

† Gears of 16 teeth or fewer will be modified - see technical section, page 63.

- Standard gear quality AQ10 - see page 56.
- Material and treatment specifications - see page 59.

Non-standard options, please enquire....

- Higher gear qualities - see page 56.
- Alternative modules.
- Imperial diametral pitches.
- Shorter shaft lengths.

Standard Product Sales : ☎ +44 (0)1484 601060
www.reliance.co.uk

✉ +44 (0)1484 601061
sales@reliance.co.uk