



Bevel Gears

8mm Bore

General Information

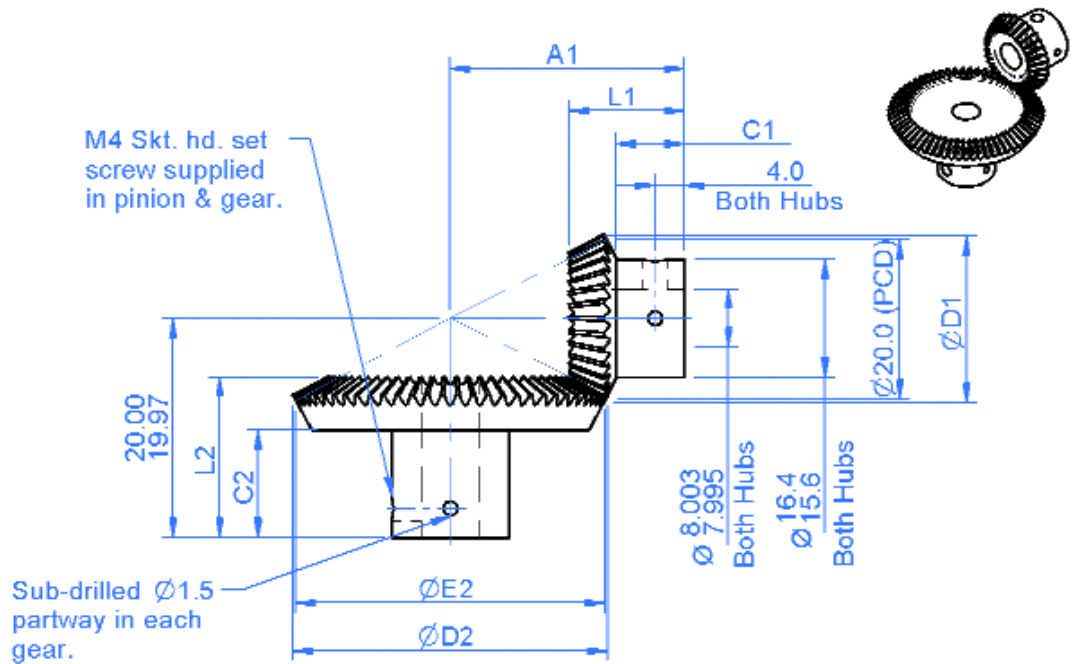
All dimensions in mm
 General tolerances:
 ±0.13mm
 Material:
 Stainless steel 303

Pressure angle 20°
 Gleason system

Associated Products

Shafts
 Bearings

Visit our online catalogue for associated products at:
www.reliance.co.uk



Drawing dimension table

Part Number (pair)	Overall Length ±0.15		Outside Dia +0.00 / -0.05		Pitch Dia Gear ØE2	Hub Lengths ±0.25		Distance to Apex +0.00 / -0.03 Pinion A1
	Pinion L1	Gear L2	Pinion ØD1	Gear ØD2		Pinion C1	Gear C2	
M08N-1S	14.51	14.51	21.13	21.13	20.0	8.30	8.30	20.00
M08N-2S	15.70	13.00	21.93	40.47	40.0	9.00	7.50	30.00

Specifications table

Part Number (pair)	Ratio	Pitch (module)	Number of Teeth		Max. Tooth to Tooth Comp. Error (pair)	Max. Total Comp. Error (pair)
			Pinion	Gear		
M08N-1S	1:1	0.8	25	25	0.025	0.050
M08N-2S	2:1		25	50		

Standard Product Sales : ☎ +44 (0)1484 601060
www.reliance.co.uk

✉ +44 (0)1484 601061
sales@reliance.co.uk