



# Bevel Gears

4mm Bore

## General Information

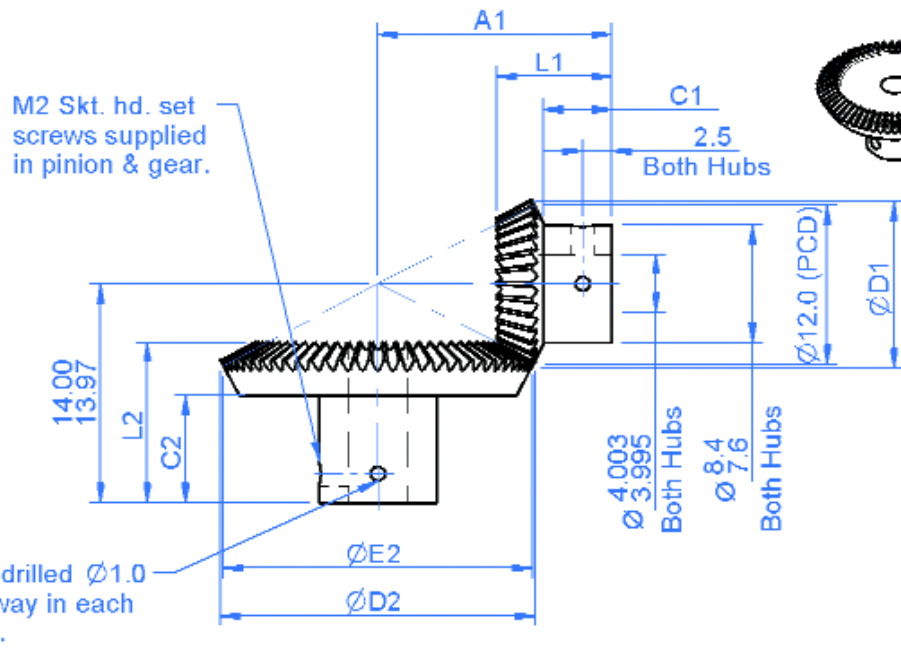
All dimensions in mm  
 General tolerances:  
 $\pm 0.13\text{mm}$   
 Material:  
 Stainless steel 303

Pressure angle  $20^\circ$   
 Gleason system

## Associated Products

Shafts  
 Bearings

Visit our online catalogue for associated products at:  
[www.reliance.co.uk](http://www.reliance.co.uk)



Drawing dimension table

Part Number (pair)	Overall Length $\pm 0.15$		Outside Dia $+0.00 / -0.05$		Pitch Dia $\text{ØE2}$	Hub Lengths $\pm 0.25$		Distance to Apex $+0.00 / -0.03$
	Pinion L1	Gear L2	Pinion $\text{ØD1}$	Gear $\text{ØD2}$		Pinion C1	Gear C2	
<b>M04N-1S</b>	10.28	10.28	12.56	12.56	12.0	6.00	6.00	14.00
<b>M04N-2S</b>	9.86	9.50	12.96	24.23	24.0	6.00	5.00	19.00
<b>M04N-3S</b>	9.00	9.13	13.07	36.15	36.0	5.33	5.00	24.00
<b>M04N-4S</b>	8.03	8.91	13.11	48.11	48.0	4.50	5.00	29.00

Specifications table

Part Number (pair)	Ratio	Pitch (module)	Number of Teeth		Max. Tooth to Tooth Comp. Error (pair)	Max. Total Comp. Error (pair)
			Pinion	Gear		
<b>M04N-1S</b>	1:1	0.4	30	30	0.025	0.050
<b>M04N-2S</b>	2:1		30	60		
<b>M04N-3S</b>	3:1		30	90		
<b>M04N-4S</b>	4:1		30	120		

Standard Product Sales : +44 (0)1484 601060  
[www.reliance.co.uk](http://www.reliance.co.uk)

+44 (0)1484 601061  
[sales@reliance.co.uk](mailto:sales@reliance.co.uk)