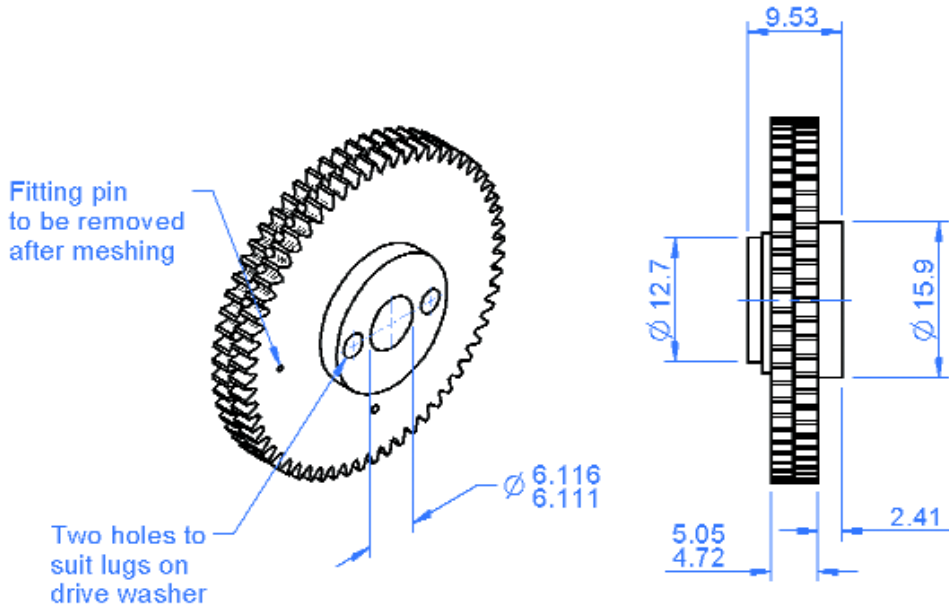


Anti-backlash Synchro Gear



General Information

All dimensions in mm
 General tolerances: ±0.13mm
 Material:
 Stainless steel
 or
 Aluminium alloy
 Pressure angle 20°

Associated Products

Spur gears

Visit our online catalogue for associated products at: www.reliance.co.uk

Part number selection table

Example Part No:- **AS06S1B6.1F49A- 60**

Bore Size	Standard Modules	Basic Part Number Standard Materials		Number of Teeth	
		Stainless Steel	Aluminium Alloy	Min	Max
6.11	0.6	AS06S1B6.1F49A-	AS06A1B6.1F49A-	39	144
	0.5	AS05S1B6.1F49A-	AS05A1B6.1F49A-	46	174
	0.4	AS04S1B6.1F49A-	AS04A1B6.1F49A-	57	218
	0.3	AS03S1B6.1F49A-	AS03A1B6.1F49A-	75	291
	0.25	AS025S1B6.1F49A-	AS025A1B6.1F49A-	89	350
	0.2	AS02S1B6.1F49A-	AS02A1B6.1F49A-	111	438

- Standard gear quality AQ10 - see page 56.
- To suit size 23 synchro.
- Material and treatment specifications - see page 59.

Non-standard options, please enquire....

- Higher gear qualities - see page 56.
- Alternative modules.
- Imperial diametral pitches.
- Imperial bore size 0.2406".