



# Pin Hub Spur Gear

6 - 12mm Bore

## General Information

All dimensions in mm  
General tolerances:  
±0.13mm

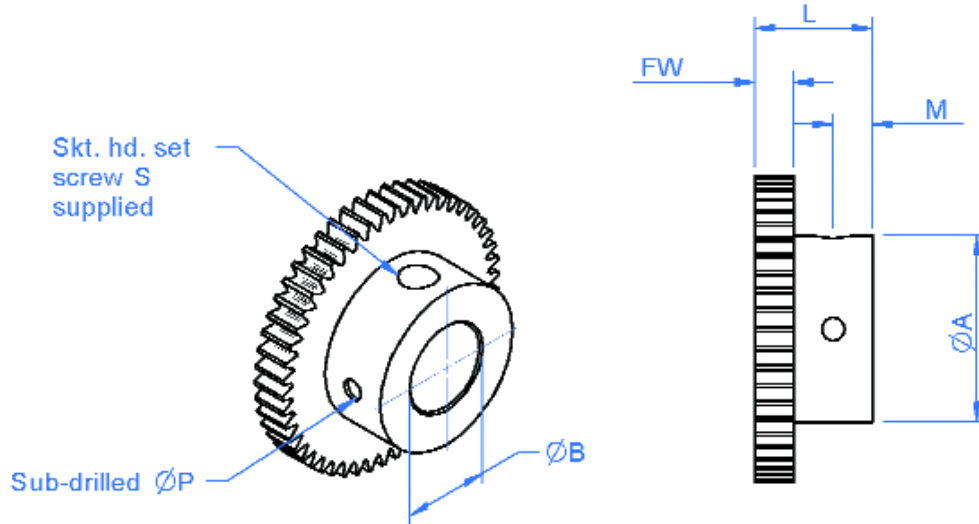
Material:  
Stainless steel  
or  
Aluminium alloy

Pressure angle 20°

## Associated Products

Anti-backlash gears  
Shafts  
Bearings  
Pins

Visit our online catalogue for associated products at:  
[www.reliance.co.uk](http://www.reliance.co.uk)



Drawing dimension table

Bore Size Nom	Bore Dia ØB	Overall Length L	Gear Face Width FW	Boss Dia ØA	Hole Position M	Set Screw S	Sub-Drill ØP
6	6.003	9	3	12.00	3.20 2.80	M3	1.6
	5.995	10	4				
		12	6				
8	8.003	10	4	16.00		M4	2.0
	7.995	12	6				
10	10.003	12	4	19.00	4.20 3.80	M5	2.4
	9.995	14	6				
12	12.003	20	8	24.00	6.20 5.80	M6	
	11.995	24	12				

- Standard gear quality AQ10 - see page 56.
- Material and treatment specifications - see page 59.

## Non-standard options, please enquire....

- Higher gear qualities - see page 56.
- Alternative modules.
- Imperial diametral pitches.
- Imperial bore sizes 1/4", 5/16", 3/8" & 1/2".

Standard Product Sales : ☎ +44 (0)1484 601060  
[www.reliance.co.uk](http://www.reliance.co.uk)

✉ +44 (0)1484 601061  
[sales@reliance.co.uk](mailto:sales@reliance.co.uk)

# 6 - 12mm Bore

# Pin Hub Spur Gear



## Part number selection table

Example Part No:- **P06S1B8 F4A- 32**

Bore Size Nom	Standard Modules	Basic Part Number Standard Materials		Face Width	Number of Teeth	
		Stainless Steel	Aluminium Alloy	Dim FW	Min	Max
6	0.6	P06S1B6	P06A1B6	F3A- (3mm)	23	127
	0.5	P05S1B6	P05A1B6		27	152
	0.4	P04S1B6	P04A1B6	F4A- (4mm)	33	190
	0.3	P03S1B6	P03A1B6		43	254
	0.25	P025S1B6	P025A1B6	F6A- (6mm)	50	304
	0.2	P02S1B6	P02A1B6		62	381
8	0.6	P06S1B8	P06A1B8	F4A- (4mm)	30	127
	0.5	P05S1B8	P05A1B8		35	152
	0.4	P04S1B8	P04A1B8	F6A- (6mm)	43	190
	0.3	P03S1B8	P03A1B8		56	254
	0.25	P025S1B8	P025A1B8	F6A- (6mm)	66	304
	0.2	P02S1B8	P02A1B8		82	381
10	0.6	P06S1B10	P06A1B10	F4A- (4mm)	34	127
	0.5	P05S1B10	P05A1B10		40	152
	0.4	P04S1B10	P04A1B10	F6A- (6mm)	50	190
	0.3	P03S1B10	P03A1B10		65	254
	0.25	P025S1B10	P025A1B10	F6A- (6mm)	77	304
	0.2	P02S1B10	P02A1B10		95	381
12	0.6	P06S1B12	P06A1B12	F8A- (8mm)	41	127
	0.5	P05S1B12	P05A1B12		48	152
	0.4	P04S1B12	P04A1B12	F12A- (12mm)	59	190
	0.3	P03S1B12	P03A1B12		77	254
	0.25	P025S1B12	P025A1B12	F12A- (12mm)	92	304
	0.2	P02S1B12	P02A1B12		113	381

### General Information

All dimensions in mm  
 General tolerances: ±0.13mm  
 Material:  
 Stainless steel or Aluminium alloy  
 Pressure angle 20°

### Associated Products

Anti-backlash gears  
 Shafts  
 Bearings  
 Pins  
 Visit our online catalogue for associated products at: [www.reliance.co.uk](http://www.reliance.co.uk)

