



# Reli-a-Grip™ Clamp Hub Gears

6 - 10mm Bore

## General Information

All dimensions in mm  
General tolerances:  
±0.13mm

Material:  
Stainless steel  
or  
Aluminium alloy

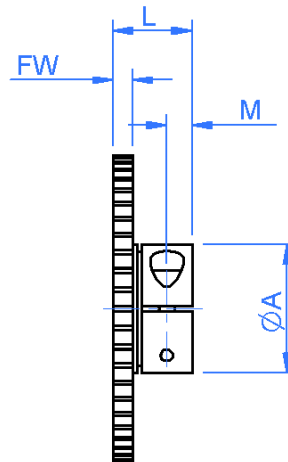
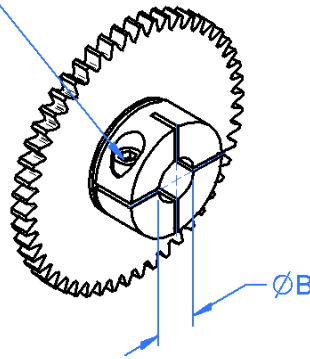
Pressure angle 20°

## Associated Products

Clamp hub gears  
Shafts  
Bearings

Visit our online  
catalogue for  
associated products at:  
[www.reliance.co.uk](http://www.reliance.co.uk)

Skt. hd. cap  
screw S  
supplied



## Drawing dimension table

| Bore Size Nom | Bore Dia ØB | Overall Length L | Gear Face Width FW | Reli-a-Grip™ Dia ØA | Hole Position M | Screw Supplied S |
|---------------|-------------|------------------|--------------------|---------------------|-----------------|------------------|
| 6             | 6.003       | 9                | 3                  | 13.00               | 2.50            | M1.6             |
|               | 5.995       | 10               | 4                  |                     |                 |                  |
|               |             | 12               | 6                  |                     |                 |                  |
| 8             | 8.003       | 11               | 4                  | 16.00               | 3.00            | M2               |
|               | 7.995       | 13               | 6                  |                     |                 |                  |
| 10            | 10.003      | 12               | 4                  | 20.00               | 3.50            | M2.5             |
|               | 9.995       | 14               | 6                  |                     |                 |                  |

- Standard gear quality AQ10 - see page 56.
- Material and treatment specifications - see page 59.

## Non-standard options, please enquire....

- Higher gear qualities, see page 56.
- Alternative modules.
- Imperial diametral pitches.
- Imperial bore sizes 1/4", 5/16" & 3/8".

Standard Product Sales : +44 (0)1484 601060  
[www.reliance.co.uk](http://www.reliance.co.uk)

+44 (0)1484 601061  
sales@reliance.co.uk

