



Reli-a-Grip™ Clamp Hub Gears

3 - 5mm Bore

General Information

All dimensions in mm
General tolerances:
±0.13mm

Material:
Stainless steel
or
Aluminium alloy

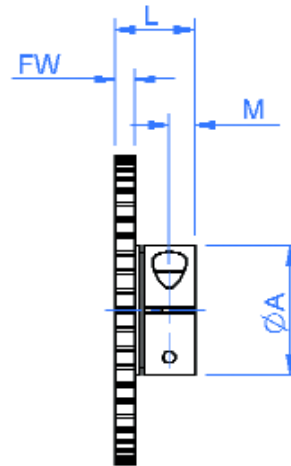
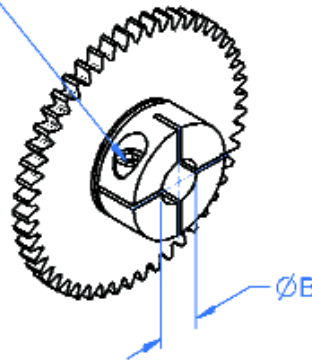
Pressure angle 20°

Associated Products

Clamp hub gears
Shafts
Bearings

Visit our online
catalogue for
associated products at:
www.reliance.co.uk

Skt. hd. cap
screw S
supplied



Drawing dimension table

Bore Size Nom	Bore Dia ØB	Overall Length L	Gear Face Width FW	Reli-a-Grip™ Dia ØA	Hole Position M	Screw Supplied S
3	3.003	8	2	13.00	2.50	M1.6
	2.995	10	4			
4	4.003	8	2			
	3.995	10	4			
5	5.003	8	2			
	4.995	10	4			

- Standard gear quality AQ10 - see page 56.
- Material and treatment specifications - see page 59.

Non-standard options, please enquire....

- Higher gear qualities - see page 56.
- Alternative modules.
- Imperial diametral pitches.
- Imperial bore sizes 1/8", 3/16" & 1/4".

Standard Product Sales : ☎ +44 (0)1484 601060
www.reliance.co.uk

✉ +44 (0)1484 601061
sales@reliance.co.uk



Part number selection table

Example Part No:- **G06S1B5 F2A- 50**

Bore Size Nom	Standard Modules	Basic Part Number Standard Materials		Face Width	Number of Teeth		
		Stainless Steel	Aluminium Alloy	Dim FW	Min	Max	
						F2A	F4A
3	0.6	G06S1B3	G06A1B3	F2A- (2mm) or F4A- (4mm)	25	55	124
	0.5	G05S1B3	G05A1B3		29	67	149
	0.4	G04S1B3	G04A1B3		36	84	187
	0.3	G03S1B3	G03A1B3		47	113	250
	0.25	G025S1B3	G025A1B3		56	136	301
	0.2	G02S1B3	G02A1B3		69	171	377
4	0.6	G06S1B4	G06A1B4	F2A- (2mm) or F4A- (4mm)	25	55	124
	0.5	G05S1B4	G05A1B4		29	67	149
	0.4	G04S1B4	G04A1B4		36	84	187
	0.3	G03S1B4	G03A1B4		47	113	250
	0.25	G025S1B4	G025A1B4		56	136	301
	0.2	G02S1B4	G02A1B4		69	171	377
5	0.6	G06S1B5	G06A1B5	F2A- (2mm) or F4A- (4mm)	25	55	124
	0.5	G05S1B5	G05A1B5		29	67	149
	0.4	G04S1B5	G04A1B5		36	84	187
	0.3	G03S1B5	G03A1B5		47	113	250
	0.25	G025S1B5	G025A1B5		56	136	301
	0.2	G02S1B5	G02A1B5		69	171	377

General Information

All dimensions in mm
General tolerances: ±0.13mm
Material:
Stainless steel or Aluminium alloy
Pressure angle 20°

Associated Products

Clamp hub gears
Shafts
Bearings

Visit our online catalogue for associated products at: www.reliance.co.uk

