



# Anti-backlash Pin Hub Gears

2 - 6mm Bore

## General Information

All dimensions in mm  
General tolerances:  
±0.13mm

Material:  
Stainless steel  
or  
Aluminium alloy

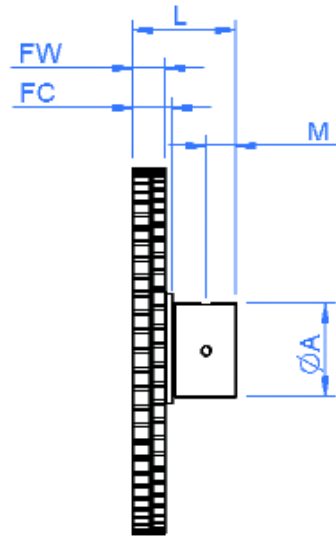
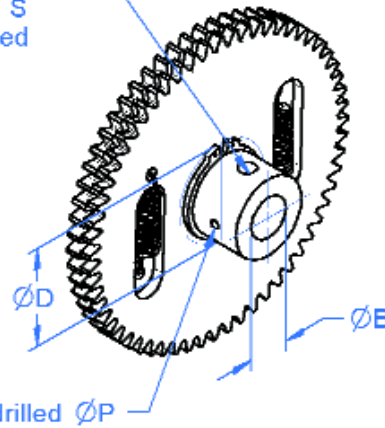
Pressure angle 20°

## Associated Products

Pin hub gears  
Shafts  
Bearings

Visit our online catalogue for associated products at:  
[www.reliance.co.uk](http://www.reliance.co.uk)

Skt. hd. set screw S supplied



## Drawing dimension table

Bore Size Nom	Bore Dia ØB	Overall Length L	Gear Face Width FW	Hub Dia ØA	Circlip Dims		Hole Position M	Set Screw S	Sub-Drill ØP
					Clearance ØD Max	Length FC			
2	2.003 1.995	9.00	3.62 3.17	9.40	15.00	4.49 3.91	2.00	M1.6	0.75
3	3.003 2.995	9.50					2.50	M2	
4	4.003 3.995	10.50					3.00	M2.5	1.00
5	5.003 4.995						4.00	M3	1.50
6	6.003 5.995	12.00					12.60	18.80	4.75 4.16

- Standard gear quality AQ10 - see page 56.
- Material and treatment specifications - see page 59.

## Non-standard options, please enquire....

- Higher gear qualities - see page 56.
- Alternative modules.
- Imperial diametral pitches.
- Imperial bore sizes 5/64", 0.120", 1/8", 3/16" & 1/4".

Standard Product Sales : ☎ +44 (0)1484 601060  
[www.reliance.co.uk](http://www.reliance.co.uk)

✉ +44 (0)1484 601061  
[sales@reliance.co.uk](mailto:sales@reliance.co.uk)

