



Anti-backlash Pin Hub Pinions

2 - 6mm Bore

General Information

All dimensions in mm
General tolerances:
±0.13mm

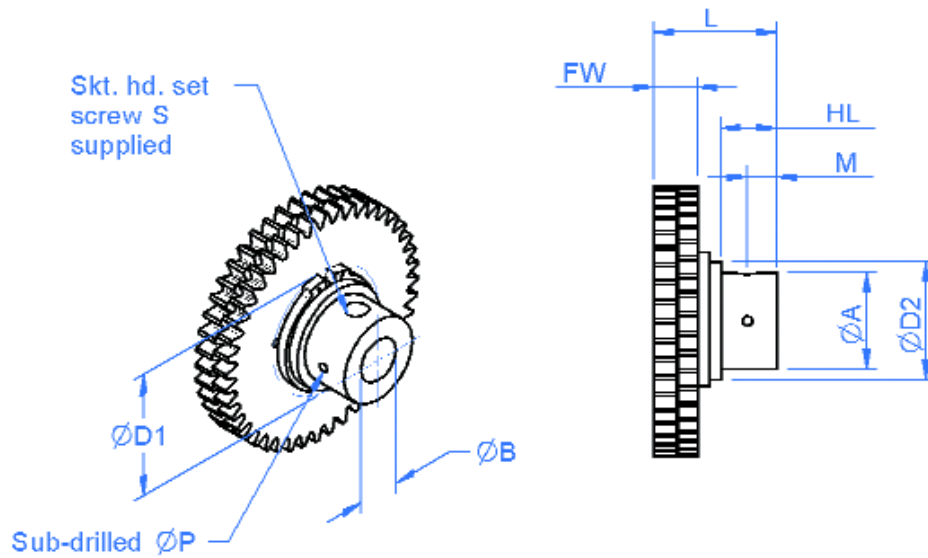
Material:
Stainless steel
or
Aluminium alloy

Pressure angle 20°

Associated Products

Pin hub gears
Shafts
Bearings

Visit our online catalogue for associated products at:
www.reliance.co.uk



Drawing dimension table

Bore Size Nom	Bore Dia ØB	Overall Length L	Gear Face Width FW	Hub Dia ØA	Clearance		Hub Length HL	Hole Position M	Set Screw S	Sub-Drill ØP
					ØD1 Max †	ØD2				
2	2.003 1.995	10.50	4.90 4.10	6.80	18.10	11.987 11.975	3.70	2.20 1.80	M1.6	0.75
3	3.003 2.995			7.80						
4	4.003 3.995	12.50	4.90 4.10	9.80	18.10	11.987 11.975	5.70	3.20 2.80	M3	1.00
5	5.003 4.995			11.8						
6	6.003 5.995			1.50						

† ØD will not exceed the root diameter of the teeth.

- Standard gear quality AQ10 - see page 56.
- Material and treatment specifications - see page 59.

Non-standard options, please enquire....

- Higher gear qualities - see page 56.
- Alternative modules.
- Imperial diametral pitches.
- Imperial bore sizes 5/64", 0.120", 1/8", 3/16" & 1/4".

Standard Product Sales : ☎ +44 (0)1484 601060
www.reliance.co.uk

✉ +44 (0)1484 601061
sales@reliance.co.uk

