



Anti-backlash Clamp Hub Gears

8 - 10mm Bore

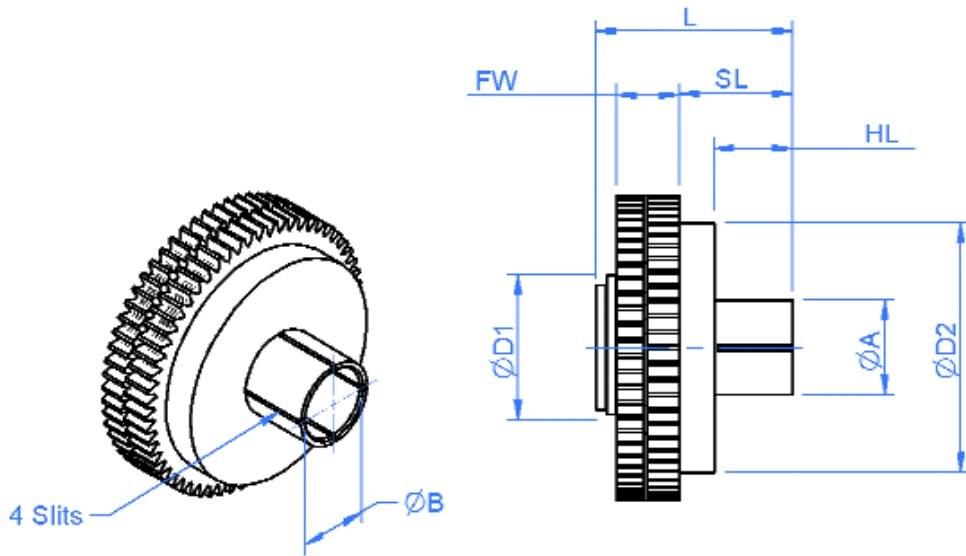
General Information

All dimensions in mm
 General tolerances:
 ±0.13mm
 Material:
 Stainless steel
 or
 Aluminium alloy
 Pressure angle 20°

Associated Products

Clamp hub gears
 Shafts
 Bearings
 Gear clamps

Visit our online catalogue for associated products at:
www.reliance.co.uk



Drawing dimension table

Bore Size Nom	Bore Dia ØB	Overall Length L	Gear Face Width FW	Hub Dia ØA	Clearance Dia		Hub Length HL	Length SL	Recommended Clamp #
					Circlip ØD1 Max	ØD2 Max			
8	8.003 7.995	20.00	6.86 6.17	9.60 9.56	19.2	25.40	8.0	11.88 11.20	CGAM-8A or CGM1-8
10	10.003 9.995			11.60 11.56					

see gear clamps on pages 52 - 53 for information.

- Standard gear quality AQ10 - see page 56.
- Material and treatment specifications - see page 59.

Non-standard options, please enquire....

- Higher gear qualities - see page 56.
- Alternative modules.
- Imperial diametral pitches.
- Imperial bore sizes 5/16" & 3/8".

Standard Product Sales : ☎ +44 (0)1484 601060
www.reliance.co.uk

✉ +44 (0)1484 601061
sales@reliance.co.uk

