



# Anti-backlash Clamp Hub Gears

2 - 6mm Bore

## General Information

All dimensions in mm  
General tolerances:  
±0.13mm

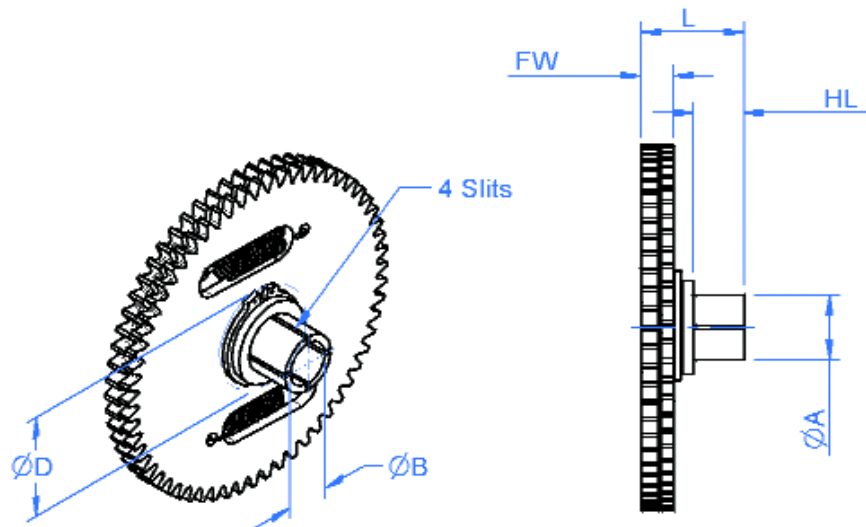
Material:  
Stainless steel  
or  
Aluminium alloy

Pressure angle 20°

## Associated Products

Clamp hub gears  
Shafts  
Bearings  
Gear clamps

Visit our online catalogue for associated products at:  
[www.reliance.co.uk](http://www.reliance.co.uk)



Drawing dimension table

Bore Size	Bore Dia	Overall Length	Gear Face Width	Hub Dia	Clearance Dia	Hub Length	Recommended Clamp #	
Nom	ØB	L	FW	ØA	ØD Max	HL		
2	2.003 1.995	9.00	3.91 3.14	3.60 3.56	15.00	4.20	CGAM-2A or CGM1-2	
3	3.003 2.995	9.50		4.60 4.56			CGAM-3A or CGM1-3	
4	4.003 3.995	10.50		5.60 5.56		5.20	CGAM-4A or CGM1-4	
5	5.003 4.995			6.60 6.56			CGAM-5A or CGM1-5	
6	6.003 5.995	12.00		7.60 7.56		18.80	5.70	CGAM-6A or CGM1-6

# see gear clamps on pages 52 - 53 for information.

- Standard gear quality AQ10 - see page 56.
- Material and treatment specifications - see page 59.

Non-standard options, please enquire....

- Higher gear qualities - see page 56.
- Alternative modules.
- Imperial diametral pitches.
- Imperial bore sizes 5/64", 0.120", 1/8", 3/16" & 1/4".

Standard Product Sales : ☎ +44 (0)1484 601060  
[www.reliance.co.uk](http://www.reliance.co.uk)

✉ +44 (0)1484 601061  
[sales@reliance.co.uk](mailto:sales@reliance.co.uk)

