



Anti-backlash Clamp Hub Pinions

2 - 6mm Bore

General Information

All dimensions in mm
General tolerances:
±0.13mm

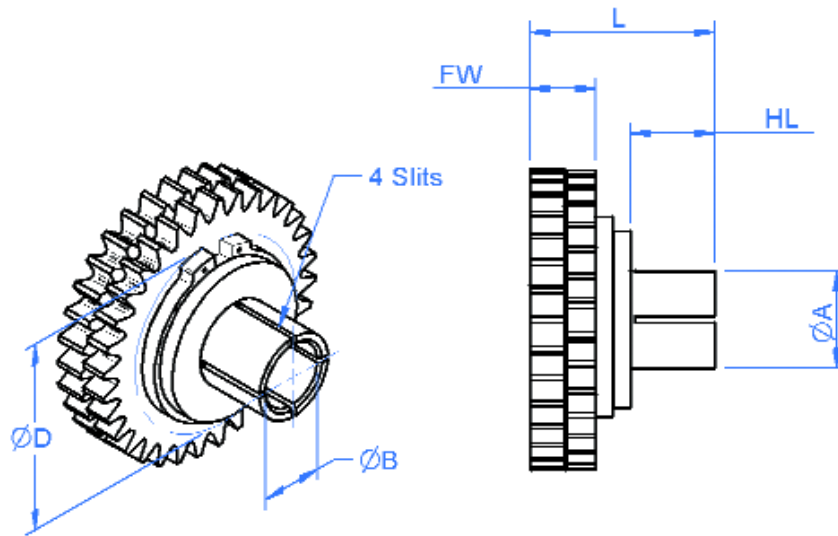
Material:
Stainless steel
or
Aluminium alloy

Pressure angle 20°

Associated Products

Clamp hub gears
Shafts
Bearings
Gear clamps

Visit our online catalogue for associated products at:
www.reliance.co.uk



Drawing dimension table

Bore Size	Bore Dia	Overall Length	Gear Face Width	Hub Dia	Clearance Dia	Hub Length	Recommended Clamp #
Nom	ØB	L	FW	ØA	ØD Max†	HL	
2	2.003 1.995	10.50		3.60 3.56		3.70	CGAM-2A or CGM1-2
3	3.003 2.995	12.50	4.90 4.10	4.60 4.56	18.10	5.70	CGAM-3A or CGM1-3
4	4.003 3.995			5.60 5.56			CGAM-4A or CGM1-4
5	5.003 4.995			6.60 6.56			CGAM-5A or CGM1-5
6	6.003 5.995			7.60			CGAM-6A
				7.56			or CGM1-6

see gear clamps on pages 52 - 53 for information.

† ØD will not exceed the root diameter of the teeth.

- Standard gear quality AQ10 - see page 56.
- Material and treatment specifications - see page 59.

Non-standard options, please enquire....

- Higher gear qualities - see page 56.
- Alternative modules.
- Imperial diametral pitches.
- Imperial bore sizes 5/64", 0.120", 1/8", 3/16" & 1/4".

Standard Product Sales : ☎ +44 (0)1484 601060
www.reliance.co.uk

✉ +44 (0)1484 601061
sales@reliance.co.uk



Part number selection table

Example Part No:- AC06S1B5F45A- 32

Bore Size Nom	Standard Modules	Basic Part Number Standard Materials		Number of Teeth	
		Stainless Steel	Aluminium Alloy	Min	Max
2	0.6	AC06S1B2F45A	AC06A1B2F45A	29	59
	0.5	AC05S1B2F45A	AC05A1B2F45A	34	72
	0.4	AC04S1B2F45A	AC04A1B2F45A	42	90
	0.3	AC03S1B2F45A	AC03A1B2F45A	55	121
	0.25	AC025S1B2F45A	AC025A1B2F45A	65	146
	0.2	AC02S1B2F45A	AC02A1B2F45A	80	183
3	0.6	AC06S1B3F45A	AC06A1B3F45A	29	59
	0.5	AC05S1B3F45A	AC05A1B3F45A	34	72
	0.4	AC04S1B3F45A	AC04A1B3F45A	42	90
	0.3	AC03S1B3F45A	AC03A1B3F45A	55	121
	0.25	AC025S1B3F45A	AC025A1B3F45A	65	146
	0.2	AC02S1B3F45A	AC02A1B3F45A	80	183
4	0.6	AC06S1B4F45A	AC06A1B4F45A	29	59
	0.5	AC05S1B4F45A	AC05A1B4F45A	34	72
	0.4	AC04S1B4F45A	AC04A1B4F45A	42	90
	0.3	AC03S1B4F45A	AC03A1B4F45A	55	121
	0.25	AC025S1B4F45A	AC025A1B4F45A	65	146
	0.2	AC02S1B4F45A	AC02A1B4F45A	80	183
5	0.6	AC06S1B5F45A	AC06A1B5F45A	29	59
	0.5	AC05S1B5F45A	AC05A1B5F45A	34	72
	0.4	AC04S1B5F45A	AC04A1B5F45A	42	90
	0.3	AC03S1B5F45A	AC03A1B5F45A	55	121
	0.25	AC025S1B5F45A	AC025A1B5F45A	65	146
	0.2	AC02S1B5F45A	AC02A1B5F45A	80	183
6	0.6	AC06S1B6F45A	AC06A1B6F45A	29	59
	0.5	AC05S1B6F45A	AC05A1B6F45A	34	72
	0.4	AC04S1B6F45A	AC04A1B6F45A	42	90
	0.3	AC03S1B6F45A	AC03A1B6F45A	55	121
	0.25	AC025S1B6F45A	AC025A1B6F45A	65	146
	0.2	AC02S1B6F45A	AC02A1B6F45A	80	183

General Information

All dimensions in mm
General tolerances: ±0.13mm
Material:
Stainless steel or Aluminium alloy
Pressure angle 20°

Associated Products

Clamp hub gears
Shafts
Bearings
Gear clamps
Visit our online catalogue for associated products at: www.reliance.co.uk