



# Anti-backlash Clamp Hub Pinions - Miniature

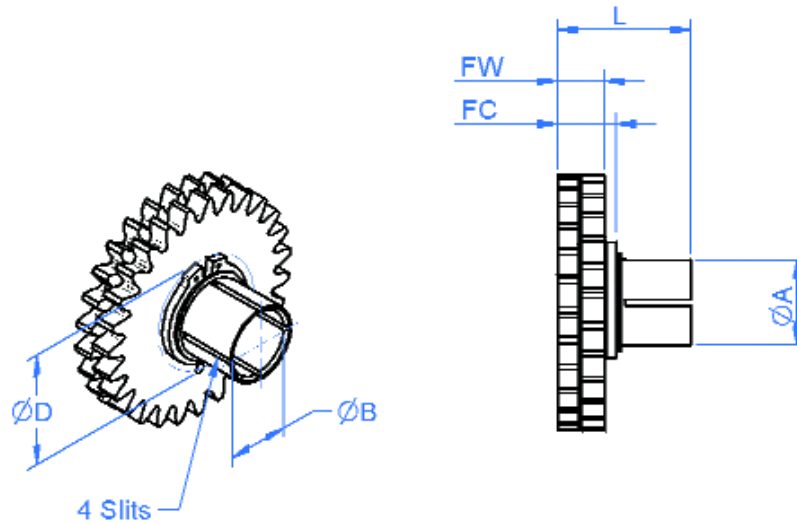
2 - 6mm Bore

## General Information

All dimensions in mm  
General tolerances:  
±0.13mm

Material:  
Stainless steel  
or  
Aluminium alloy

Pressure angle 20°



## Associated Products

Clamp hub gears  
Shafts  
Bearings  
Gear clamps

Visit our online catalogue for associated products at:  
[www.reliance.co.uk](http://www.reliance.co.uk)

## Drawing dimension table

Bore Size Nom	Bore Dia ØB	Overall Length L	Gear Face Width FW	Hub Dia ØA	Circlip Dims		Recommended Clamp #
					Clearance ØD Max	Length FC	
2	2.003 1.995	9.00	3.58 3.08	3.60	7.30	3.99	CGAM-2A or CGM1-2
3	3.003 2.995			4.60 4.56			3.58
4	4.003 3.995			5.60 5.56	8.20	CGAM-4A or CGM1-4	
5	5.003 4.995			6.60 6.56	10.90	4.25	CGAM-5A or CGM1-5
6	6.003 5.995			7.60	13.20	3.85	CGAM-6A or CGM1-6
				7.56			

# see gear clamps on pages 52 - 53 for information. NB Clamp diameter may be greater than gear diameter.

- Standard gear quality AQ10 - see page 56.
- Material and treatment specifications - see page 59.

## Non-standard options, please enquire....

- Higher gear qualities - see page 56.
- Alternative modules.
- Imperial diametral pitches.
- Imperial bore sizes 5/64", 0.120", 1/8", 3/16" & 1/4" .

Standard Product Sales : ☎ +44 (0)1484 601060  
[www.reliance.co.uk](http://www.reliance.co.uk)

✉ +44 (0)1484 601061  
[sales@reliance.co.uk](mailto:sales@reliance.co.uk)



Part number selection table

Example Part No:- AR06S1B5F33A- 27

Bore Size Nom	Standard Modules	Basic Part Number Standard Materials		Number of Teeth	
		Stainless Steel	Aluminium Alloy	Min	Max*
2	0.6	AR06S1B2F33A	AR06A1B2F33A	21	29
	0.5	AR05S1B2F33A	AR05A1B2F33A	24	36
	0.4	AR04S1B2F33A	AR04A1B2F33A	30	45
	0.3	AR03S1B2F33A	AR03A1B2F33A	38	61
	0.25	AR025S1B2F33A	AR025A1B2F33A	45	74
	0.2	AR02S1B2F33A	AR02A1B2F33A	56	93
3	0.6	AR06S1B3F33A	AR06A1B3F33A	21	29
	0.5	AR05S1B3F33A	AR05A1B3F33A	24	36
	0.4	AR04S1B3F33A	AR04A1B3F33A	30	45
	0.3	AR03S1B3F33A	AR03A1B3F33A	38	61
	0.25	AR025S1B3F33A	AR025A1B3F33A	45	74
	0.2	AR02S1B3F33A	AR02A1B3F33A	56	93
4	0.6	AR06S1B4F33A	AR06A1B4F33A	22	29
	0.5	AR05S1B4F33A	AR05A1B4F33A	26	36
	0.4	AR04S1B4F33A	AR04A1B4F33A	32	45
	0.3	AR03S1B4F33A	AR03A1B4F33A	41	61
	0.25	AR025S1B4F33A	AR025A1B4F33A	49	74
	0.2	AR02S1B4F33A	AR02A1B4F33A	60	93
5	0.6	AR06S1B5F33A	AR06A1B5F33A	24	29
	0.5	AR05S1B5F33A	AR05A1B5F33A	28	36
	0.4	AR04S1B5F33A	AR04A1B5F33A	34	45
	0.3	AR03S1B5F33A	AR03A1B5F33A	44	61
	0.25	AR025S1B5F33A	AR025A1B5F33A	52	74
	0.2	AR02S1B5F33A	AR02A1B5F33A	65	93
6	0.6	AR06S1B6F33A	AR06A1B6F33A	26	29
	0.5	AR05S1B6F33A	AR05A1B6F33A	31	36
	0.4	AR04S1B6F33A	AR04A1B6F33A	38	45
	0.3	AR03S1B6F33A	AR03A1B6F33A	49	61
	0.25	AR025S1B6F33A	AR025A1B6F33A	58	74
	0.2	AR02S1B6F33A	AR02A1B6F33A	72	93

**General Information**

All dimensions in mm  
 General tolerances: ±0.13mm  
 Material:  
 Stainless steel or Aluminium alloy  
 Pressure angle 20°

**Associated Products**

Clamp hub gears  
 Shafts  
 Bearings  
 Gear clamps  
 Visit our online catalogue for associated products at:  
[www.reliance.co.uk](http://www.reliance.co.uk)

\* For larger numbers of teeth, see anti-backlash Reli-a-Grip™ pinions on pages 4 and 5.