



Anti-backlash Reli-a-Grip™ Clamp Hub Gears

8 - 10mm Bore

General Information

All dimensions in mm
General tolerances:
±0.13mm

Material:
Stainless steel
or
Aluminium alloy

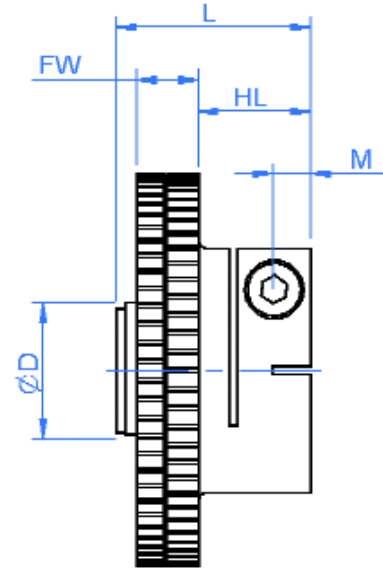
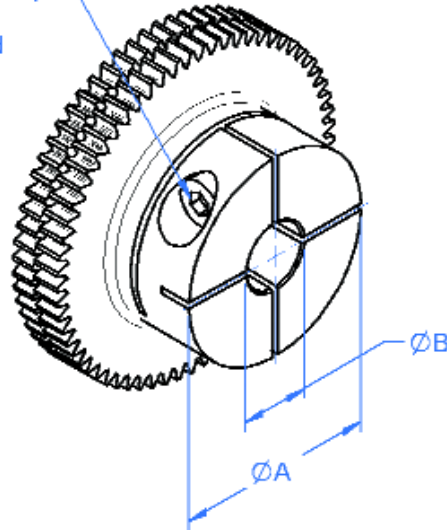
Pressure angle 20°

Associated Products

Clamp hub gears
Shafts
Bearings

Visit our online catalogue for associated products at:
www.reliance.co.uk

Skt. hd. cap screw S supplied



Drawing dimension table

Bore Size	Bore Dia	Overall Length	Gear Face Width	Reli-a-Grip™ Dia	Clearance Dia	Hub Length	Hole Position	Set. Screw
Nom	ØB	L	FW	ØA	ØD Max †	HL ±0.34	M	S
8	8.003 7.995	20.0	6.65	25.00	18.80	11.54	3.80	M3
10	10.003 9.995		6.17					

† ØD will not exceed the root diameter of the teeth.

- Standard gear quality AQ10 - see page 56.
- Material and treatment specifications - see page 59.

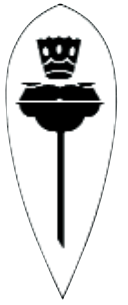
Non-standard options, please enquire....

- Higher gear qualities - see page 56.
- Alternative modules.
- Imperial diametral pitches.
- Imperial bore sizes 5/16" & 3/8".

Standard Product Sales : ☎ +44 (0)1484 601060
www.reliance.co.uk

✉ +44 (0)1484 601061
sales@reliance.co.uk

**Anti-backlash Reli-a-Grip™
Clamp Hub Gears**



Part number selection table

Example Part No:- AG06S1B10F61A- 50

Bore Size Nom	Standard Modules	Basic Part Number Standard Materials		Number of Teeth	
		Stainless Steel	Aluminium Alloy	Min	Max
8	0.6	AG06S1B8F61A	AG06A1B8F61A	48	108
	0.5	AG05S1B8F61A	AG05A1B8F61A	56	130
	0.4	AG04S1B8F61A	AG04A1B8F61A	70	164
	0.3	AG03S1B8F61A	AG03A1B8F61A	92	219
	0.25	AG025S1B8F61A	AG025A1B8F61A	110	263
	0.2	AG02S1B8F61A	AG02A1B8F61A	136	330
	10	0.6	AG06S1B10F61A	AG06A1B10F61A	48
0.5		AG05S1B10F61A	AG05A1B10F61A	56	130
0.4		AG04S1B10F61A	AG04A1B10F61A	70	164
0.3		AG03S1B10F61A	AG03A1B10F61A	92	219
0.25		AG025S1B10F61A	AG025A1B10F61A	110	263
0.2		AG02S1B10F61A	AG02A1B10F61A	136	330

General Information

All dimensions in mm
 General tolerances: ±0.13mm
 Material:
 Stainless steel or Aluminium alloy
 Pressure angle 20°

Associated Products

Clamp hub gears
 Shafts
 Bearings
 Visit our online catalogue for associated products at:
www.reliance.co.uk

