



# Anti-backlash Reli-a-Grip™ Clamp Hub Pinions

3 - 6mm Bore

## General Information

All dimensions in mm  
General tolerances:  
±0.13mm

Material:  
Stainless steel  
or  
Aluminium alloy

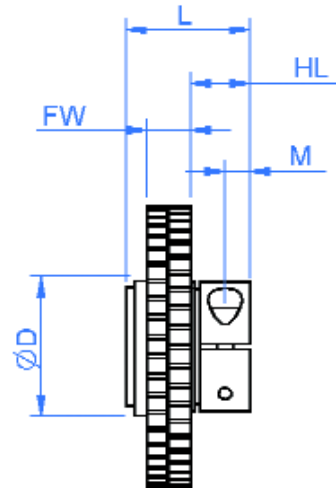
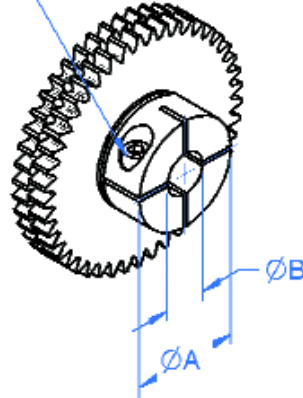
Pressure angle 20°

## Associated Products

Clamp hub gears  
Shafts  
Bearings

Visit our online catalogue for associated products at:  
[www.reliance.co.uk](http://www.reliance.co.uk)

Skt. hd. cap screw S supplied



## Drawing dimension table

| Bore Size | Bore Dia       | Overall Length | Gear Face Width | Reli-a-Grip™ Dia | Clearance Dia ØD | Hub Length | Hole Position | Set Screw |
|-----------|----------------|----------------|-----------------|------------------|------------------|------------|---------------|-----------|
| Nom       | ØB             | L ±0.3         | FW              | ØA               | Max †            | HL         | M             | S         |
| 3         | 3.003<br>2.995 | 12.5           | 4.55<br>4.10    | 13.00            | 19.00            | 6.0        | 2.50          | M1.6      |
| 4         | 4.003<br>3.995 |                |                 |                  |                  |            |               |           |
| 5         | 5.003<br>4.995 |                |                 |                  |                  |            |               |           |
| 6         | 6.003<br>5.995 |                |                 |                  |                  |            |               |           |

† ØD will not exceed the root diameter of the teeth.

- Standard gear quality AQ10 - see page 56.
- Material and treatment specifications - see page 59.

## Non-standard options, please enquire....

- Higher gear qualities - see page 56.
- Alternative modules.
- Imperial diametral pitches.
- Imperial bore sizes 1/8", 3/16" & 1/4".

Standard Product Sales : ☎ +44 (0)1484 601060  
[www.reliance.co.uk](http://www.reliance.co.uk)

✉ +44 (0)1484 601061  
[sales@reliance.co.uk](mailto:sales@reliance.co.uk)

